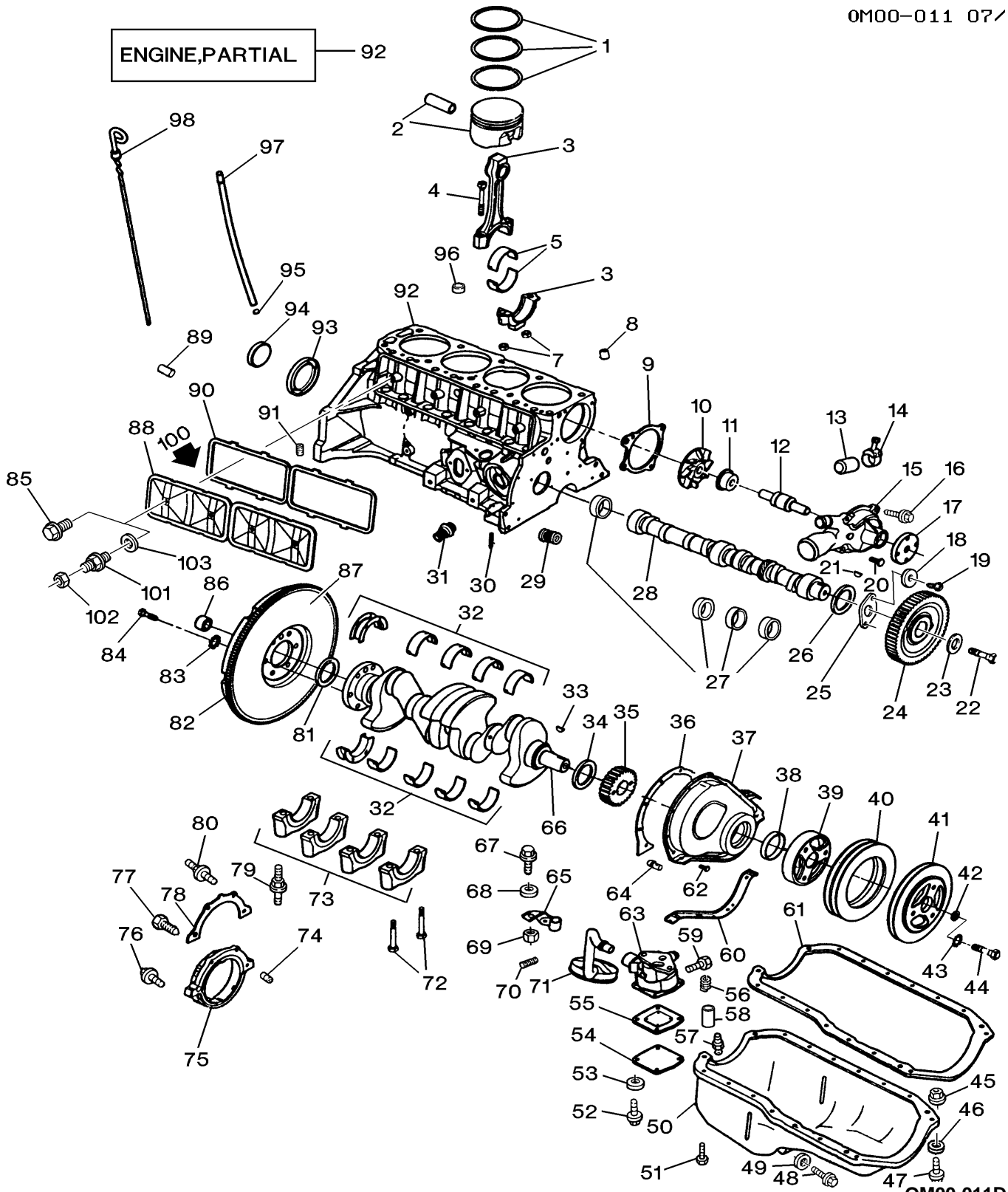




## 3.0L L4 OEM PARTS LIST

### ILLUSTRATION INDEX

TITLE	PAGE
I ENGINE ASM - 3.0L L4 PART 1 (3.0L/181 CID)(MARINE/INDUSTRIAL)	0-34
I ENGINE ASM - 3.0L L4 PART 2 (3.0L/181 CID)(MARINE/INDUSTRIAL)	0-51



OM00-011D

**1991-2004 I ENGINE ASM-3.0L L4 PART 1 (3.0L/181 CID)(MARINE/INDUSTRIAL)**

1.	0.643	RING KIT,PSTN(.030 O.S.)	91 - 93 I (LW6)	4	14089026
	0.643	RING KIT,PSTN(STD)	91 - 93 I (LW6)	4	88894219

	<b>0.643</b>	<b>RING KIT,PSTN(.020 OVSI - *14,25)</b>	<b>95</b>	<b>I (LW6)</b>	<b>4</b>	<b>12361570</b>
	0.643	RING KIT,PSTN(.020 OVSI - *2,14,25)	96 - 99	I (LW6)	4	12361570
	0.643	RING KIT,PSTN(.020 OVSI - *23,25)	94	I (LW6)	4	12361570
	0.643	RING KIT,PSTN(.020 OVSI - *33)	03 - 04	I (LW6)	4	12361570
	0.643	RING KIT,PSTN(.020 OVSI - *33,34)	00 - 02	I (LW6)	4	12361570
	0.643	RING KIT,PSTN(*19,20,21,22,23,24,27)(.030 O.S.)	94 - 96	I (LW6)	4	14089026
	0.643	RING KIT,PSTN(*19,20,21,22,23,24,27)(STD)	94 - 96	I (LW6)	4	88894219
	0.643	RING KIT,PSTN(*19,20,21,27)(.030 O.S.)	97	I (LW6)	4	14089026
	0.643	RING KIT,PSTN(*19,27,30,31,32)(.030 O.S.)	98 - 99	I (LW6)	4	14089026
	0.643	RING KIT,PSTN(*2,14,19,20,21,27)(STD)	97	I (LW6)	4	88894219
	0.643	RING KIT,PSTN(*2,14,19,27,30,31,32)(STD)	98 - 99	I (LW6)	4	88894219
	0.643	RING KIT,PSTN(*2,14,25)(STD)	94 - 96	I (LW6)	4	88894219
	0.643	RING KIT,PSTN(*3,31,32,33,34)(STD)	00 - 02	I (LW6)	4	88894219
	0.643	RING KIT,PSTN(*3,31,32,35)(.030 O.S.)	01 - 04	I (LW6)	4	14089026
	0.643	RING KIT,PSTN(*31,32,33,35)(STD)	03 - 04	I (LW6)	4	88894219
2.	0.629	PISTON,(W/PIN)(.020 OVSI - *14,25)	95	I (LW6)	4	03937768
	0.629	PISTON,(W/PIN)(.020 OVSI - *2,14)	97 - 99	I (LW6)	4	03937768
	0.629	PISTON,(W/PIN)(.020 OVSI - *2,14,25)	96	I (LW6)	4	03937768
	0.629	PISTON,(W/PIN)(.020 OVSI - *23,25)	94	I (LW6)	4	03937768
	0.629	PISTON,(W/PIN)(.020 OVSI - *33)	03 - 04	I (LW6)	4	03937768
	0.629	PISTON,(W/PIN)(.020 OVSI - *33,34)	00 - 02	I (LW6)	4	03937768
	0.629	PISTON,(W/PIN)(.020" O.S. - * 31,32)	00	I (LW6)	4	93419821
	0.629	PISTON,(W/PIN)(.020" O.S. - * 1,2,4,7,9,10,11,12,13,15,19,20,21,22)	91 - 94	I (LW6)	4	93419821
	0.629	PISTON,(W/PIN)(.020" O.S. - *19,20,21,22,27)	95 - 96	I (LW6)	4	93419821
	0.629	PISTON,(W/PIN)(.020" O.S. - *19,20,21)	97	I (LW6)	4	93419821
	0.629	PISTON,(W/PIN)(.020" O.S. - *19,30,31,32)	98	I (LW6)	4	93419821
	0.629	PISTON,(W/PIN)(.020" O.S. - *19,31,32)	99	I (LW6)	4	93419821
	0.629	PISTON,(W/PIN)(.020" O.S. - *3,31,32,35)	01 - 04	I (LW6)	4	93419821
	0.629	PISTON,(W/PIN)(HI-LIMIT - * 1,2,4,7,9,10,11,12,13,15,19,20,21,22)	91 - 94	I (LW6)	4	93419820
	0.629	PISTON,(W/PIN)(HI-LIMIT - *19,20,21,22,27)	95 - 96	I (LW6)	4	93419820
	0.629	PISTON,(W/PIN)(HI-LIMIT - *19,20,21)	97	I (LW6)	4	93419820
	0.629	PISTON,(W/PIN)(HI-LIMIT - *19,30,31,32)	98	I (LW6)	4	93419820
	0.629	PISTON,(W/PIN)(HI-LIMIT - *19,31,32)	99	I (LW6)	4	93419820
	0.629	PISTON,(W/PIN)(HI-LIMIT - *3,31,32,35)	01 - 04	I (LW6)	4	93419820
	0.629	PISTON,(W/PIN)(HI-LIMIT - *31,32)	00	I (LW6)	4	93419820
	0.629	PISTON,(W/PIN)(STD - * 1,2,4,7,9,10,11,12,13,15,19,20,21,22)	91 - 94	I (LW6)	4	93419819
	0.629	PISTON,(W/PIN)(STD - *19,20,21)	97	I (LW6)	4	93419819
	0.629	PISTON,(W/PIN)(STD - *19,20,21,22,27)	95 - 96	I (LW6)	4	93419819

0.629	<b>PISTON,(W/PIN)(STD - *19,26,27,30,31,32)</b>	98	I (LW6)	4	93419819
0.629	<b>PISTON,(W/PIN)(STD - *19,26,27,31,32)</b>	99	I (LW6)	4	93419819
0.629	<b>PISTON,(W/PIN)(STD - *2,14)</b>	97 - 99	I (LW6)	4	03963663
0.629	<b>PISTON,(W/PIN)(STD - *2,14,25)</b>	96	I (LW6)	4	03963663
0.629	<b>PISTON,(W/PIN)(STD - *3,31,32,35)</b>	01 - 04	I (LW6)	4	93419819
0.629	<b>PISTON,(W/PIN)(STD - *3,5,6,8,14,16,23,25)</b>	91 - 95	I (LW6)	4	03963663
0.629	<b>PISTON,(W/PIN)(STD - *31,32)</b>	00	I (LW6)	4	93419819
0.629	<b>PISTON,(W/PIN)(STD - *33)</b>	03 - 04	I (LW6)	4	03963663
0.629	<b>PISTON,(W/PIN)(STD - *33,34)</b>	00 - 02	I (LW6)	4	03963663
0.629	<b>PISTON,(W/PIN)(STD HI LIMIT - *2,14,25)</b>	95 - 96	I (LW6)	4	03963667
0.629	<b>PISTON,(W/PIN)(STD HI LIMIT - *2,14)</b>	97 - 99	I (LW6)	4	03963667
0.629	<b>PISTON,(W/PIN)(STD HI LIMIT - *23,25)</b>	94	I (LW6)	4	03963667
0.629	<b>PISTON,(W/PIN)(STD HI LIMIT - *33,34)</b>	00 - 04	I (LW6)	4	03963667
3.	0.603 <b>ROD,CONN(*14)(USE W/CRANKSHAFT 93435504 ONLY)(NOTE:DEALERS MUST SEE NOTES 37,38)(INCL 4,6,7)</b>	91 - 92	I (LW6)	4	10108688
	0.603 <b>ROD,CONN(*14)(USE W/CRANKSHAFT CANCEL 93427534 ONLY)(NOTE:DEALERS MUST SEE NOTES 37,3)(INCL 4,6,7)</b>	91 - 92	I (LW6)	4	93423947
	0.603 <b>ROD,CONN(*14)(USE W/CRANKSHAFT 93435504 ONLY)(NOTE:DEALERS MUST SEE NOTES 37,38)(INCL 4,6,7)</b>	95	I (LW6)	4	10108688
	0.603 <b>ROD,CONN(*14)(USE W/CRANKSHAFT CANCEL 93427534 ONLY)(NOTE:DEALERS MUST SEE NOTES 37,3)(INCL 4,6,7)</b>	95	I (LW6)	4	93423947
	0.603 <b>ROD,CONN(*19,20,21,22,24,25,27)(USE W/CRANKSHAFT 93435504 ONLY)(NOTE:DEALERS MUST SEE NOTES 37,38)(INCL 4,6,7)</b>	94 - 95	I (LW6)	4	10108688
	0.603 <b>ROD,CONN(*19,20,21,22,24,25,27)(USE W/CRANKSHAFT CANCEL 93427534 ONLY)(NOTE:DEALERS MUST SEE NOTES 37,3)(INCL 4,6,7)</b>	94 - 95	I (LW6)	4	93423947
	0.603 <b>ROD,CONN(*2,14,19,20,21,22,25,26,27)(USE W/CRANKSHAFT 93435504 ONLY)(NOTE:DEALERS MUST SEE NOTES 37,38)(INCL 4,6,7)</b>	96	I (LW6)	4	10108688
	0.603 <b>ROD,CONN(*2,14,19,20,21,22,25,26,27)(USE W/CRANKSHAFT CANCEL 93427534 ONLY)(NOTE:DEALERS MUST SEE NOTES 37,3)(INCL 4,6,7)</b>	96	I (LW6)	4	93423947
	0.603 <b>ROD,CONN(*2,14,19,20,21,26,27)(USE W/CRANKSHAFT 93435504 ONLY)(NOTE:DEALERS MUST SEE NOTES 37,38)(INCL 4,6,7)</b>	97	I (LW6)	4	10108688
	0.603 <b>ROD,CONN(*2,14,19,20,21,26,27)(USE W/CRANKSHAFT CANCEL 93427534 ONLY)(NOTE:DEALERS MUST SEE NOTES 37,3)(INCL 4,6,7)</b>	97	I (LW6)	4	93423947

	<b>0.603</b>	<b>ROD,CONN(*2,14,19,26,27,30,31,32)(USE W/CRANKSHAFT 93435504 ONLY)(NOTE:DEALERS MUST SEE NOTES 37,38)(INCL 4,6,7)</b>	<b>98 - 99</b>	<b>I (LW6)</b>	<b>4</b>	<b>10108688</b>
	0.603	<b>ROD,CONN(*2,14,19,26,27,30,31,32)(USE W/CRANKSHAFT CANCEL 93427534 ONLY)(NOTE:DEALERS MUST SEE NOTES 37,38)(INCL 4,6,7)</b>	98 - 99	I (LW6)	4	93423947
	0.603	<b>ROD,CONN(*3,31,32,33,34)(INCL 4,6,7)</b>	00 - 02	I (LW6)	4	10108688
	0.603	<b>ROD,CONN(*31,32,33,35)(INCL 4,6,7)</b>	03 - 04	I (LW6)	4	10108688
	0.603	<b>ROD,CONN(*4,6,7)(USE W/CRANKSHAFT 93435504 ONLY)(NOTE:DEALERS MUST SEE NOTES 37,38)(INCL 4,6,7)</b>	91 - 93	I (LW6)	4	10108688
	0.603	<b>ROD,CONN(*4,6,7)(USE W/CRANKSHAFT CANCEL 93427534 ONLY)(NOTE:DEALERS MUST SEE NOTES 37,3)(INCL 4,6,7)</b>	91 - 93	I (LW6)	4	93423947
4.	0.623	<b>BOLT,CONN ROD(PART OF 3)</b>	91 - 93	I (LW6)	8	14050532
	0.623	<b>BOLT,CONN ROD(*19,20,21,22,23,24,25,27)(PART OF 3)</b>	94 - 95	I (LW6)	8	00461372
	0.623	<b>BOLT,CONN ROD(*2,14,19,20,21,22,26,27,30,31)(PART OF 3)</b>	96 - 97	I (LW6)	8	00461372
	0.623	<b>BOLT,CONN ROD(*2,3,14,19,26,27,31,32)(PART OF 3)</b>	98 - 99	I (LW6)	8	00461372
	0.623	<b>BOLT,CONN ROD(*3,31,32,33,34)(PART OF 3)</b>	00 - 02	I (LW6)	8	00461372
	0.623	<b>BOLT,CONN ROD(*31,32,33,35)(PART OF 3)</b>	03 - 04	I (LW6)	8	00461372
5.	0.616	<b>BEARING KIT,CONN ROD(.001 O.S.)(* 19,20,21,22,23,24,25,26,27)(USE W/CRANKSHAFT 93435504 ONLY)(NOTE:DEALERS MUST SEE NOTES 37,38)</b>	94	I (LW6)	4	12493124
	0.616	<b>BEARING KIT,CONN ROD(.001 O.S.)(* 2,14,19,20,21,22,25,26,27)(USE W/CRANKSHAFT 93435504 ONLY)(NOTE:DEALERS MUST SEE NOTES 37,38)</b>	95 - 96	I (LW6)	4	12493124
	0.616	<b>BEARING KIT,CONN ROD(.001 O.S.)(* 2,14,19,20,21,26,27)(USE W/CRANKSHAFT 93435504 ONLY)(NOTE:DEALERS MUST SEE NOTES 37,38)</b>	97	I (LW6)	4	12493124
	0.616	<b>BEARING KIT,CONN ROD(.001 O.S.)(* 2,3,14,19,26,27,30,31,32)(USE W/CRANKSHAFT 93435504 ONLY)(NOTE:DEALERS MUST SEE NOTES 37,38)</b>	98 - 99	I (LW6)	4	12493124
	0.616	<b>BEARING KIT,CONN ROD(.001 O.S.)(*3,31,32,33,34)</b>	00 - 02	I (LW6)	4	12493124
	0.616	<b>BEARING KIT,CONN ROD(.001 O.S.)(*31,32,33,35)</b>	03 - 04	I (LW6)	4	12493124
	0.616	<b>BEARING KIT,CONN ROD(.001 O.S.)(USE W/CRANKSHAFT 93435504 ONLY)(NOTE:DEALERS MUST SEE NOTES 37,38)</b>	91 - 93	I (LW6)	4	12493124

0.616	<b>BEARING KIT,CONN ROD(*19,20,21,22,23,24,25,26,27)</b> (USE W/CRANKSHAFT CANCEL 93427534 ONLY) (NOTE:DEALERS MUST SEE NOTES 37,38)(STD)	94	I (LW6)	4	12523924
0.616	<b>BEARING KIT,CONN ROD(*2,14,19,20,21,22,25,26,27)</b> (USE W/CRANKSHAFT CANCEL 93427534 ONLY) (NOTE:DEALERS MUST SEE NOTES 37,38)(STD)	95 - 96	I (LW6)	4	12523924
0.616	<b>BEARING KIT,CONN ROD(*2,14,19,20,21,26,27)</b> (USE W/CRANKSHAFT CANCEL 93427534 ONLY) (NOTE:DEALERS MUST SEE NOTES 37,38)(STD)	97	I (LW6)	4	12523924
0.616	<b>BEARING KIT,CONN ROD(*2,3,14,19,26,27,30,31,32)</b> (USE W/CRANKSHAFT CANCEL 93427534 ONLY) (NOTE:DEALERS MUST SEE NOTES 37,3)(STD)	98 - 99	I (LW6)	4	12523924
0.616	<b>BEARING KIT,CONN ROD(STD)(* 19,20,21,22,23,24,25,26,27)</b> (USE W/CRANKSHAFT 93435504 ONLY)(NOTE:DEALERS MUST SEE NOTES 37,38)	94	I (LW6)	4	12493123
0.616	<b>BEARING KIT,CONN ROD(STD)(* 2,14,19,20,21,22,25,26,27)</b> (USE W/CRANKSHAFT 93435504 ONLY)(NOTE:DEALERS MUST SEE NOTES 37,38)	95 - 96	I (LW6)	4	12493123
0.616	<b>BEARING KIT,CONN ROD(STD)(*2,14,19,20,21,26,27)</b> (USE W/CRANKSHAFT 93435504 ONLY) (NOTE:DEALERS MUST SEE NOTES 37,38)	97	I (LW6)	4	12493123
0.616	<b>BEARING KIT,CONN ROD(STD)(* 2,3,14,19,26,27,30,31,32)</b> (USE W/CRANKSHAFT 93435504 ONLY)(NOTE:DEALERS MUST SEE NOTES 37,38)	98 - 99	I (LW6)	4	12493123
0.616	<b>BEARING KIT,CONN ROD(STD)</b> (USE W/CRANKSHAFT 93435504 ONLY)(NOTE:DEALERS MUST SEE NOTES 37,38)	91 - 93	I (LW6)	4	12493123
0.616	<b>BEARING KIT,CONN ROD</b> (USE W/CRANKSHAFT CANCEL 93427534 ONLY)(NOTE:DEALERS MUST SEE NOTES 37,38)(STD)	91 - 93	I (LW6)	4	12523924
7.	0.626 <b>NUT,CONN ROD(PART OF 3)(3/8-24)(HEX)</b>	91 - 95	I (LW6)	8	03866766
	0.626 <b>NUT,CONN ROD(*2,14,19,20,21,22,25,26,27)(PART OF 3)(3/8-24)(HEX)</b>	96 - 97	I (LW6)	8	03866766
	0.626 <b>NUT,CONN ROD(*2,3,14,19,26,27,30,31,32)(PART OF 3)(3/8-24)(HEX)</b>	98 - 99	I (LW6)	8	03866766
	0.626 <b>NUT,CONN ROD(*3,31,32,33,34)(PART OF 3)(3/8-24) (HEX)</b>	00 - 02	I (LW6)	8	03866766
8.	1.639 <b>BEARING,O/PMP DRV SHF(2.375)</b>	91 - 04	I (LW6)	1	00326312
9.	1.079 <b>GASKET,W/PMP(AC-DELCO #251-2009)</b>	91 - 04	I (LW6)	1	10101256
10.	NS <b>IMPELLER,W/PMP(PART OF 15)</b>				

11.	NS	SEAL,W/PMP BRG(PART OF 15)				
12.	NS	BEARING,W/PMP(PART OF 15)				
13.	8.846	CAP,HTR WAT OTLT(*2,3,14,25,26,27)(1.073)(AC-DELCO #15544596)	95 - 99	I (LW6)	1	15544596
	8.846	CAP,HTR WAT OTLT(*23,24,25,26,27)(1.073)(AC-DELCO #15544596)	94	I (LW6)	1	15544596
	8.846	CAP,HTR WAT OTLT(*3,33,34)(1.073)(AC-DELCO #15544596)	00 - 02	I (LW6)	1	15544596
	8.846	CAP,HTR WAT OTLT(*3,5,8,14,16)(1.073)(AC-DELCO #15544596)	91 - 93	I (LW6)	1	15544596
	8.846	CAP,HTR WAT OTLT(*33,35)(1.073)(AC-DELCO #15544596)	03 - 04	I (LW6)	1	15544596
14.	8.948	CLAMP,WORM TYPE,11/16"MIN TO 1 5/16"MAX(HTR WAT OTLT CAP)(*3,5,8,14,16)(AC-DELCO #1470030)	91 - 93	I (LW6)	AR	01470030
	8.948	CLAMP,WORM TYPE,11/16"MIN TO 1 5/16"MAX(HTR WAT OTLT CAP)(*23,24,25)(AC-DELCO #1470030)	94	I (LW6)	AR	01470030
	8.948	CLAMP,WORM TYPE,11/16"MIN TO 1 5/16"MAX(HTR WAT OTLT CAP)(*14,25,26,27)(AC-DELCO #1470030)	95	I (LW6)	AR	01470030
	8.948	CLAMP,WORM TYPE,11/16"MIN TO 1 5/16"MAX(HTR WAT OTLT CAP)(*2,14,25,26,27,30)(AC-DELCO #1470030)	96 - 98	I (LW6)	AR	01470030
	8.948	CLAMP,WORM TYPE,11/16"MIN TO 1 5/16"MAX(HTR WAT OTLT CAP)(*2,3,14,19,26,27,30,31,32)(AC-DELCO #1470030)	99	I (LW6)	AR	01470030
	8.948	CLAMP,WORM TYPE,11/16"MIN TO 1 5/16"MAX(HTR WAT OTLT CAP)(*3,31,32,33,34)(AC-DELCO #1470030)	00 - 01	I (LW6)	AR	01470030
	8.948	CLAMP,WORM TYPE,11/16"MIN TO 1 5/16"MAX(HTR WAT OTLT CAP)(*3,31,32,33,34)(AC-DELCO #1470030)	02 - 04	I (LW6)	AR	01470030
15.	1.069	PUMP,WAT(*2)(AC-DELCO #251-651)	96 - 99	I (LW6)	1	88894248
	1.069	PUMP,WAT(*33)(AC-DELCO #251-651)	00 - 02	I (LW6)	1	88894248
	1.069	PUMP,WAT(*33)(WATER PUMP HAS PRESSED ON PULLEY.SEE 89017409 FOR 2ND DES)(AC-DELCO #251-651)	03	I (LW6) (1ST DES)	1	88894248
	1.069	PUMP,WAT(*33)(WATER PUMP HAS PRESSED ON HUD.SEE 12528816 FOR 1ST DES)	03	I (LW6) (2ND DES)	1	89017409
	1.069	PUMP,WAT(*33)(WATER PUMP HAS PRESSED ON HUD.)	04	I (LW6)	1	89017409
	1.069	PUMP KIT,WAT(*1,2,4,7,9,10,11,12,13,15)(AC-DELCO #251-649)	91 - 93	I (LW6)	1	88894246
	1.069	PUMP KIT,WAT(*14,25,26,27)(AC-DELCO #251-650)	95 - 96	I (LW6)	1	88894247
	1.069	PUMP KIT,WAT(*14,26,27)(AC-DELCO #251-650)	97 - 99	I (LW6)	1	88894247

	<b>1.069</b>	<b>PUMP KIT,WAT(*19,20,21,22)(AC-DELCO #251-649)</b>	<b>94 - 97</b>	I (LW6)	<b>1</b>	<b>88894246</b>
	1.069	<b>PUMP KIT,WAT(*19,30,31,32)(AC-DELCO #251-649)</b>	98 - 00	I (LW6)	<b>1</b>	<b>88894246</b>
	1.069	<b>PUMP KIT,WAT(*3,34)(AC-DELCO #251-650)</b>	00 - 02	I (LW6)	<b>1</b>	<b>88894247</b>
	1.069	<b>PUMP KIT,WAT(*31,32)(AC-DELCO #251-649)</b>	01 - 04	I (LW6)	<b>1</b>	<b>88894246</b>
	1.069	<b>PUMP KIT,WAT(*35)(AC-DELCO #251-650)</b>	03 - 04	I (LW6)	<b>1</b>	<b>88894247</b>
16.	1.079	<b>BOLT,W/PMP(5/16-18 X 7/8, 300M)(8.900)</b>	91 - 04	I (LW6)	<b>1</b>	<b>09442184</b>
17.	NS	<b>HUB,FAN &amp; W/PMP PUL(PART OF 15)</b>	91 - 01	I (LW6)		
	NS	<b>HUB,FAN &amp; W/PMP PUL(PART OF 15)</b>	02	I (LW6)		
18.	8.932	<b>WASHER(CM/SHF THR BRG)</b>	91 - 02	I (LW6)	<b>AR</b>	<b>11503663</b>
	<b>8.932</b>	<b>WASHER(CM/SHF THR BRG)</b>	<b>03 - 04</b>	I (LW6)	<b>AR</b>	<b>11503663</b>
<b>19.</b>	<b>0.533</b>	<b>BOLT,CM/SHF THR BRG(1/4-20X1/2)(8.900)(AC-DELCO #9442008)</b>	<b>91 - 98</b>	I (LW6)	<b>1</b>	<b>09442008</b>
	0.533	<b>BOLT,CM/SHF THR BRG(1/4-20 X 1/2,1/8 THD)(300M,PC)(8.900)</b>	95 - 04	I (LW6)	<b>3</b>	<b>09442895</b>
20.	1.079	<b>BOLT,W/PMP(HEX, 5/16-18X1.50)(8.900)(AC-DELCO #9440366)</b>	91 - 04	I (LW6)	<b>2</b>	<b>09440366</b>
21.	0.738	<b>KEY,CM/SHF GR(PART OF 28)(19.05MM X 4.75MM)(8.960)</b>	91 - 04	I (LW6)	<b>2</b>	<b>00106751</b>
22.	0.738	<b>BOLT,CM/SHF SPKT</b>	00 - 04			
	0.738	<b>BOLT,CM/SHF SPKT(M10X1.5X36)(HFH,FULL THD)(8.900)</b>	91 - 93	I (LW6)	<b>AR</b>	<b>24504922</b>
	0.738	<b>BOLT,CM/SHF SPKT(*4,12,24,25)(1/4-20X1/2)(8.900)(AC-DELCO #9442008)</b>	94 - 98	I (LW6)	<b>2</b>	<b>09442008</b>
23.	0.738	<b>WASHER,CM/SHF SPKT</b>	00 - 04			
	0.738	<b>WASHER,CM/SHF SPKT(0.659)</b>	91 - 93	I (LW6)	<b>1</b>	<b>10101744</b>
24.	0.736	<b>GEAR,CM/SHF</b>	91 - 04	I (LW6)	<b>1</b>	<b>02771369</b>
25.	0.533	<b>PLATE KIT,CM/SHF THR(INCL 26)</b>	91 - 04	I (LW6)	<b>1</b>	<b>12508079</b>
26.	0.738	<b>RING,CM/SHF SPKT SPCR</b>	91 - 02	I (LW6)	<b>1</b>	<b>00549631</b>
27.	0.539	<b>BEARING,CM/SHF</b>	91 - 04	I (LW6)	<b>3</b>	<b>14002525</b>
28.	0.519	<b>CAMSHAFT,ENG(*1,2,4,7,9,10,11,12,13,15)(INCL 21,26)</b>	91 - 93	I (LW6)	<b>1</b>	<b>03937764</b>
	0.519	<b>CAMSHAFT,ENG(*19,20,21,22,30,31)(INCL 21,26)</b>	94 - 99	I (LW6)	<b>1</b>	<b>03937764</b>
	0.519	<b>CAMSHAFT,ENG(*2,14,25,26,27)(INCL 21,26)</b>	95 - 99	I (LW6)	<b>1</b>	<b>02770015</b>
	0.519	<b>CAMSHAFT,ENG(*23,24,25,26,27)(INCL 21,26)</b>	94	I (LW6)	<b>1</b>	<b>02770015</b>
	0.519	<b>CAMSHAFT,ENG(*3,33,34)(INCL 21,26)</b>	00 - 02	I (LW6)	<b>1</b>	<b>02770015</b>
	0.519	<b>CAMSHAFT,ENG(*3,6,14,16)(INCL 21,26)</b>	91 - 93	I (LW6)	<b>1</b>	<b>02770015</b>
	0.519	<b>CAMSHAFT,ENG(*31,33)(INCL 21,26)</b>	00 - 04	I (LW6)	<b>1</b>	<b>03937764</b>
	0.519	<b>CAMSHAFT,ENG(*33,35)(INCL 21,26)</b>	03 - 04	I (LW6)	<b>1</b>	<b>02770015</b>
	0.519	<b>CAMSHAFT,ENG(*5,8)(INCL 21,26)</b>	91 - 93	I (LW6)	<b>1</b>	<b>02770015</b>
29.	1.837	<b>VALVE,OIL FLTR BYPASS(*1,2,3,4,5,6,7,8,9,10)(AC-DELCO #25013759)</b>	91 - 93	I (LW6)	<b>1</b>	<b>25013759</b>
	1.837	<b>VALVE,OIL FLTR BYPASS(*14,25,26,27)(*1)</b>	95	I (LW6)	<b>1</b>	<b>25013759</b>



		1,2,3,4,5,6,7,8,9,10)(AC-DELCO #25013759)			
1.837		<b>VALVE,OIL FLTR BYPASS(*19,20,21,22,23,24,25,26,27)</b> (*1,2,3,4,5,6,7,8,9,10)(AC-DELCO #25013759)	94	I (LW6)	1 25013759
1.837		<b>VALVE,OIL FLTR BYPASS(*2,14,25,26,27)(*1,2,3,4,5,6,7,8,9,10)(AC-DELCO #25013759)</b>	96	I (LW6)	1 25013759
1.837		<b>VALVE,OIL FLTR BYPASS(*2,14,26,27)(*1,2,3,4,5,6,7,8,9,10)(AC-DELCO #25013759)</b>	97 - 99	I (LW6)	1 25013759
1.837		<b>VALVE,OIL FLTR BYPASS(*3,31,32,33)(*1,2,3,4,5,6,7,8,9,10)(AC-DELCO #25013759)</b>	03 - 04	I (LW6)	1 25013759
1.837		<b>VALVE,OIL FLTR BYPASS(*3,31,32,33,34)(*1,2,3,4,5,6,7,8,9,10)(AC-DELCO #25013759)</b>	00 - 02	I (LW6)	1 25013759
30.	0.293	<b>PIN,CYL HD LOC(5/16X9/16 STL)(8.939)(AC-DELCO #585927)</b>	91 - 04	I (LW6)	8 00585927
31.	1.855	<b>FITTING,OIL FLTR(*11,12,13,14,15,16,17,18,19,20)</b>	91 - 04	I (LW6)	1 03853870
32.	0.096	<b>BEARING KIT,CR/SHF(#1,2,3,4)(.001"U.S.)(0.616)</b>	91 - 04	I (LW6)	4 12329955
	0.096	<b>BEARING KIT,CR/SHF(#1,2,3,4)(.010"U.S.)(0.616)</b>	91 - 02	I (LW6)	4 12329957
	0.096	<b>BEARING KIT,CR/SHF(#1,2,3,4)(.020"U.S.)(0.616)</b>	91 - 02	I (LW6)	4 12329958
	0.096	<b>BEARING KIT,CR/SHF(#1,2,3,4)(.030"U.S.)(0.616)</b>	91 - 02	I (LW6)	4 12329959
	0.096	<b>BEARING KIT,CR/SHF(#1,2,3,4)(STD)</b>	91 - 04	I (LW6)	4 12329954
	0.096	<b>BEARING KIT,CR/SHF(#5)(.001"U.S.)</b>	91 - 04	I (LW6)	1 10048778
	0.096	<b>BEARING KIT,CR/SHF(#5)(STD)</b>	91 - 04	I (LW6)	1 12329774
33.	8.960	<b>KEY,WOODRUFF #9 .187X.750 PL(CR/SHF GR)(*1,2,4,6,7,8,9,10,11,12,13,14,15)</b>	91 - 93	I (LW6)	AR 00106751
	8.960	<b>KEY,WOODRUFF #9 .187X.750 PL(CR/SHF GR)(*19,20,21,22,23,24)</b>	94	I (LW6)	AR 00106751
	8.960	<b>KEY,WOODRUFF #9 .187X.750 PL(CR/SHF GR)(*19,20,21,22,25,26,27)</b>	95 - 99	I (LW6)	1 00106751
	8.960	<b>KEY,WOODRUFF #9 .187X.750 PL(CR/SHF GR)(*19,20,21,22,25,26,27)</b>	00 - 01	I (LW6)	1 00106751
	8.960	<b>KEY,WOODRUFF #9 .187X.750 PL(CR/SHF GR)(*19,20,21,22,25,26,27)</b>	02	I (LW6)	1 00106751
	8.960	<b>KEY,WOODRUFF #9 .187X.750 PL(CR/SHF GR)(*31,32,33,35)</b>	03 - 04	I (LW6)	1 00106751
34.	0.213	<b>SEAL,CR/SHF FRT OIL(TIMING GR CVR)(61.42/61.32 MM O.D.)</b>	91 - 04	I (LW6)	1 10243247
35.	0.728	<b>GEAR,CR/SHF</b>	94 - 04	I (LW6)	1 02768986
	0.728	<b>GEAR,CR/SHF(*1,2,4,6,7,8,9,10,11,12,13,14,15,16)</b>	91 - 93	I (LW6)	1 02768986
36.	0.207	<b>GASKET,ENG FRT CVR(*21,22,23,24,25,26,27)</b>	91 - 04	I (LW6)	1 14096156
37.	0.206	<b>COVER,ENG FRT(INCL 34,42,60)</b>	91 - 04	I (LW6)	1 03992251
		<b>SEALER,ENG FRT CVR(HI STRENGTH/TEMP,THREAD)(10 ML)(8.800)</b>	00 - 04	I (LW6)	AR 12345493
38.	NS	<b>ABSORBER,CR/SHF BALR(PART OF 41)</b>	91 - 04	I (LW6)	1

39.	NS	HUB,CR/SHF BALR(PART OF 41)	91 - 04	I (LW6)	1	
40.	NS	PULLEY,CR/SHF(PART OF 41)	91 - 04	I (LW6)	1	
41.	0.659	BALANCER,CR/SHF(*1,2,3,4,6,7,9,10,11,12,13,15) (INCL 38,39,40))	91 - 93	I (LW6)	1	03826280
	0.659	BALANCER,CR/SHF(*19,20,21,22,24,26,27)(INCL 38,39,40))	94	I (LW6)	1	03826280
	0.659	BALANCER,CR/SHF(*19,20,21,22,25,26,27)(INCL 38,39,40))	95	I (LW6)	1	03826280
	0.659	BALANCER,CR/SHF(*19,20,21,26,27)(INCL 38,39,40))	96 - 97	I (LW6)	1	03826280
	0.659	BALANCER,CR/SHF(*19,26,27,30,31,32)(INCL 38,39,40))	98 - 99	I (LW6)	1	03826280
	0.659	BALANCER,CR/SHF(*2,25)(INCL 38,39,40))	96 - 99	I (LW6)	1	03896590
	0.659	BALANCER,CR/SHF(*23,25)(INCL 38,39,40))	94 - 95	I (LW6)	1	03896590
	0.659	BALANCER,CR/SHF(*3,31,32)(INCL 38,39,40))	01 - 04	I (LW6)	1	03826280
	0.659	BALANCER,CR/SHF(*31,32,33)(INCL 38,39,40))	00	I (LW6)	1	03826280
	0.659	BALANCER,CR/SHF(*33)(INCL 38,39,40))	00 - 03	I (LW6)	1	03896590
	0.659	BALANCER,CR/SHF(*33)(INCL 38,39,40))	04	I (LW6)	1	03826280
	0.659	BALANCER,CR/SHF(*5,8,14,16)(INCL 38,39,40))	91 - 93	I (LW6)	1	03896590
42.	NS	ABSORBER,CR/SHF BALR(ABSORBER-TORSIONAL DAMPER VIBRATION)	91 - 02	I (LW6)	1	
	NS	ABSORBER,CR/SHF BALR(ABSORBER-TORSIONAL DAMPER VIBRATION)	03 - 04	I (LW6)	1	
43.	8.932	WASHER,EXTERNAL TOOTH LK 7/16(CR/SHF BAL)	91 - 01	I (LW6)	6	00136857
	8.932	WASHER,EXTERNAL TOOTH LK 7/16(CR/SHF BAL)	02	I (LW6)	6	00136857
44.	0.662	BOLT,CR/SHF BALR(1/2-20 X 1 3/8)	91 - 93	I (LW6)	1	10126796
45.	1.428	NUT,OIL PAN(5/16-18 X 1/4, 286M)(POR)(8.915)	91 - 04	I (LW6)	AR	12338130
46.	8.931	WASHER,(OIL PAN)(AC-DELCO #9439510)	91 - 02	I (LW6)	2	09439510
	0.738	WASHER,OIL PAN(.263X.48X.072)(8.931)(AC-DELCO # 9439510)	91 - 04	I (LW6)	AR	09439510
47.	1.428	BOLT,OIL PAN(1/4-20 X 1/2,1/8 THD)(300M,PC)(8.900)	91 - 04	I (LW6)	AR	09442895
48.	1.453	PLUG,OIL PAN DRN(PART OF 50)(1/2-20,81LG)	91 - 04	I (LW6)	1	03921988
49.	1.456	GASKET,OIL PAN DRN PLUG(PART OF 50)	91 - 04	I (LW6)	1	14090908
50.	1.426	PAN,OIL(*1,3,4,7,11 - 14,16 SECOND DSGN - 17)(INCL 48,49))	91 - 93	I (LW6)	1	93419740
	1.426	PAN,OIL(*19,20,23,24,25,26,27)(INCL 48,49))	94	I (LW6)	1	93419740
	1.426	PAN,OIL(*2,14,19,20,25,26,27,30,31)(INCL 48,49))	95 - 97	I (LW6)	1	93419740
	1.426	PAN,OIL(*2,14,19,26,27,30,31,32)(INCL 48,49))	98 - 99	I (LW6)	1	93419740
	1.426	PAN,OIL(*2,5,6,8,13 - 14,16 FIRST DSGN - 17)(INCL 48,49))	91 - 93	I (LW6)	1	93419742
	1.426	PAN,OIL(*21,22)(INCL 48,49))	94 - 97	I (LW6)	1	93419741
	1.426	PAN,OIL(*3,31,32,33,34)(INCL 48,49))	00 - 02	I (LW6)	1	93419740
	1.426	PAN,OIL(*31,32,33,35)(INCL 48,49))	03 - 04	I (LW6)	1	93419740

	<b>1.426</b>	<b>PAN,OIL(*9,10,12,15)(INCL 48,49)</b>	<b>91 - 93</b>	<b>I (LW6)</b>	<b>1</b>	<b>93419741</b>
51.	1.428	<b>BOLT,OIL PAN(HEX 5/16-18X5/8,0.481 THD,280M,ZP) (HEX,5/16-18X.635,CLASS 3A,0.492 THD,300M PC,MACH)(8.900)</b>	91 - 04	I (LW6)	2	24501365
	1.428	<b>BOLT,OIL PAN(1/4-20 X 5/8,280M)(HFH,POR)(8.900)</b>	97 - 04	I (LW6)	2	09440033
	1.428	<b>BOLT,OIL PAN(1/4-20 X 1/2,1/8 THD)(300M,PC)(8.900)</b>	97 - 01	I (LW6)	12	09442895
	1.428	<b>BOLT,OIL PAN(1/4-20 X 1/2,1/8 THD)(300M,PC)(8.900)</b>	02 - 04	I (LW6)	12	09442895
52.	8.906	<b>SCREW,RD HD SLOTTED MA 1/4-20X3/4" CAD/ZC (O/PMP CVR)</b>	91 - 96	I (LW6)	4	00133043
53.	8.931	<b>WASHER,(O/PMP CVR)(AC-DELCO #9439510)</b>	91 - 96	I (LW6)	0	09439510
	1.723	<b>WASHER,O/PMP CVR</b>	00 - 04			
	1.723	<b>WASHER,O/PMP CVR(SPR LOCK)(.263X.48X.072) (8.931)(AC-DELCO #9439510)</b>	91 - 96	I (LW6)	4	09439510
54.	1.723	<b>COVER,O/PMP</b>	00 - 04			
	1.723	<b>COVER,O/PMP</b>	91 - 96	I (LW6)	1	03792507
55.	1.724	<b>GASKET,O/PMP CVR</b>	00 - 04			
	1.724	<b>GASKET,O/PMP CVR</b>	91 - 96	I (LW6)	1	03789970
56.	1.609	<b>SPRING,OIL PRESS RLF VLV</b>	00 - 04			
	1.609	<b>SPRING,OIL PRESS RLF VLV</b>	91 - 96	I (LW6)	1	03814903
57.	1.609	<b>PLUG,OIL PRESS RLF VLV BORE</b>	00 - 04			
	1.609	<b>PLUG,OIL PRESS RLF VLV BORE(1.531)</b>	91 - 96	I (LW6)	1	03930824
58.	1.609	<b>VALVE,OIL PRESS RLF</b>	00 - 04			
	1.609	<b>VALVE,OIL PRESS RLF</b>	91 - 96	I (LW6)	1	03829433
59.	1.652	<b>BOLT,O/PMP(5/16-18 X 3/4, 300M)(HEX HD, STEEL) (8.900)</b>	91 - 04	I (LW6)	3	09424877
60.	NS	<b>REINFORCEMENT,ENG FRT CVR LWR FLG(PART OF 37)</b>				
61.	1.429	<b>GASKET,OIL PAN</b>	91 - 04	I (LW6)	1	14096637
62.	0.206	<b>BOLT,ENG FRT CVR(1/4-20 X 1/2,1/8 THD)(300M,PC) (8.900)</b>	95 - 04	I (LW6)	12	09442895
	0.206	<b>BOLT,ENG FRT CVR(*1,6,14,15)(8.900)</b>	93	I (LW6)	6	09439930
	0.206	<b>BOLT,ENG FRT CVR(1/4-20X1/2 .50D 300 PC)(8.900)</b>	91 - 04	I (LW6)	6	09439930
63.	1.652	<b>PUMP,OIL(*19,20,21,22,23,24,25,26,27)</b>	94	I (LW6)	1	14091485
	1.652	<b>PUMP,OIL(*2,14,19,20,21,22,25,26,27,30,31)</b>	95 - 97	I (LW6)	1	14091485
	1.652	<b>PUMP,OIL(*2,3,14,19,26,27,30,31,32)</b>	98 - 99	I (LW6)	1	14091485
	1.652	<b>PUMP,OIL(*2,5,6,8,13,14)</b>	91 - 93	I (LW6)	1	14091485
	1.652	<b>PUMP,OIL(*3,31,32,33,34)</b>	00 - 02	I (LW6)	1	14091485
	1.652	<b>PUMP,OIL(*31,32,33,35)</b>	03 - 04	I (LW6)	1	14091485
64.	0.748	<b>NOZZLE,CM/SHF GR LUB</b>	91 - 04	I (LW6)	1	03875950
65.	DISCONN	<b>BRACKET,O/PMP SCR(N(PART OF 71)(* 9,10,12,15,21,22)</b>	91 - 94	I (LW6)	1	03905965
	NS	<b>BRACKET,O/PMP SCR(N(PART OF 71)(*1,3,4,7,11,16)</b>		I (LW6)	1	

	<b>NS</b>	<b>BRACKET,O/PMP SCRN(PART OF 71)(*2,5,6,8,13,14)</b>		I (LW6)		<b>1</b>
	<b>DISCONN</b>	<b>BRACKET,O/PMP SCRN(PART OF 71)(*21,22)</b>	<b>95</b>	I (LW6)		<b>1 03905965</b>
	<b>1.656</b>	<b>BRACKET,O/PMP SCRN(PART OF 71)(*19,20,25,26,27)</b>	<b>95</b>	I (LW6)		<b>1 03970417</b>
	<b>1.656</b>	<b>BRACKET,O/PMP SCRN(PART OF 71)(*19,20,23,24,25)</b>	<b>94</b>	I (LW6)		<b>1 03970417</b>
	<b>1.656</b>	<b>BRACKET,O/PMP SCRN(PART OF 71)(*2,14,19,20,25,26,27)</b>	<b>96 - 99</b>	I (LW6)		<b>1 03970417</b>
	<b>1.656</b>	<b>BRACKET,O/PMP SCRN(PART OF 71)(*3,31,32,33,34)</b>	<b>00 - 01</b>	I (LW6)		<b>1 03970417</b>
	<b>1.656</b>	<b>BRACKET,O/PMP SCRN(PART OF 71)(*3,31,32,33,34)</b>	<b>02</b>	I (LW6)		<b>1 03970417</b>
	<b>1.656</b>	<b>BRACKET,O/PMP SCRN(PART OF 71)(*31,32,33,35)</b>	<b>03 - 04</b>	I (LW6)		<b>1 03970417</b>
<b>66.</b>	<b>DISCONN</b>	<b>CRANKSHAFT&gt;(*2,14,19,20,21,25,26,27) (NOTE:DEALERS MUST SEE NOTE 37,38)(*37,38)</b>	<b>96</b>	I (LW6)		<b>1 93427534</b>
	<b>0.646</b>	<b>CRANKSHAFT&gt;(*2,14,19,20,21,25,26,27) (NOTE:DEALERS MUST SEE NOTE 37,38)(*37,38)</b>	<b>96</b>	I (LW6)		<b>1 93435504</b>
	<b>DISCONN</b>	<b>CRANKSHAFT&gt;(*2,14,19,20,21,27)(NOTE:DEALERS MUST SEE NOTE 37,38)(*37,38)</b>	<b>97</b>	I (LW6)		<b>1 93427534</b>
	<b>DISCONN</b>	<b>CRANKSHAFT&gt;(*2,14,19,20,21,27)(NOTE:DEALERS MUST SEE NOTE 37,38)(*37,38)</b>	<b>97</b>	I (LW6)		<b>1 93435504</b>
	<b>DISCONN</b>	<b>CRANKSHAFT&gt;(*2,14,19,26,27,30,31,32) (NOTE:DEALERS MUST SEE NOTES 37,38)(*37,38)</b>	<b>98 - 99</b>	I (LW6)		<b>1 93427534</b>
	<b>0.646</b>	<b>CRANKSHAFT&gt;(*2,14,19,26,27,30,31,32) (NOTE:DEALERS MUST SEE NOTE 37,38)(*37,38)</b>	<b>98 - 99</b>	I (LW6)		<b>1 93435504</b>
	<b>0.646</b>	<b>CRANKSHAFT&gt;(*3,31,32,33,34)(*37,38)</b>	<b>00 - 02</b>	I (LW6)		<b>1 93435504</b>
	<b>0.646</b>	<b>CRANKSHAFT&gt;(*31,32,33,35)(*37,38)</b>	<b>03 - 04</b>	I (LW6)		<b>1 93435504</b>
	<b>DISCONN</b>	<b>CRANKSHAFT,(NOTE:DEALERS MUST SEE NOTE 37,38)(*37,38)</b>	<b>91 - 95</b>	I (LW6)		<b>1 93427534</b>
	<b>0.646</b>	<b>CRANKSHAFT,(NOTE:DEALERS MUST SEE NOTE 37,38)(*37,38)</b>	<b>91 - 95</b>	I (LW6)		<b>1 93435504</b>
<b>67.</b>	<b>8.900</b>	<b>BOLT,HEX 1/4-20X3/4,300M PC(O/PMP SCRN BRKT)</b>	<b>91 - 04</b>	I (LW6)		<b>AR 09425113</b>
<b>68.</b>	<b>8.929</b>	<b>WASHER,1/4 I.D.,1/2 O.D.,1/16 THK,ZP(O/PMP SCRN BRKT)</b>	<b>91 - 96</b>	I (LW6)		<b>1 02436161</b>
	<b>1.656</b>	<b>WASHER,O/PMP SUC PIPE BRKT(1/4X1/2X1/16)(ZP, HARD)(8.929)</b>	<b>91 - 04</b>	I (LW6)		<b>AR 02436161</b>
<b>69.</b>	<b>1.652</b>	<b>NUT,O/PMP</b>	<b>00 - 04</b>			
	<b>1.652</b>	<b>NUT,O/PMP(*2,14,21,22,25)(HEX 3/8-16)(8.917)</b>	<b>96</b>	I (LW6)		<b>1 09442946</b>
	<b>1.652</b>	<b>NUT,O/PMP(*2,5,6,8,9,10,12,13,14,15,16,21,22,23,25) (HEX 3/8-16)(8.917)</b>	<b>91 - 95</b>	I (LW6)		<b>1 09442946</b>
	<b>1.652</b>	<b>NUT,O/PMP(*21)(HEX 3/8-16)(8.917)</b>	<b>97 - 99</b>	I (LW6)		<b>1 09442946</b>
<b>70.</b>	<b>1.609</b>	<b>PIN,OIL PRESS RLF VLV</b>	<b>91 - 02</b>	I (LW6)		<b>1 00838839</b>
<b>71.</b>	<b>NS</b>	<b>SCREEN,O/PMP (W/BRKT)(PART OF 63)</b>	<b>94 - 96</b>	I (LW6)		
	<b>1.656</b>	<b>SCREEN,O/PMP (W/BRKT)(INCL 65,69)(PART OF 63)</b>	<b>00 - 04</b>			
	<b>1.656</b>	<b>SCREEN,O/PMP (W/BRKT)(*2,5,6,8,13,14,16)(INCL 65,69)(PART OF 63)</b>	<b>91 - 93</b>	I (LW6)		<b>1 03915988</b>

1.656	<b>SCREEN,O/PMP(W/SUC PIPE)(INCL 65,69)(PART OF 63)</b>	<b>00 - 04</b>		
1.656	<b>SCREEN,O/PMP(W/SUC PIPE)(*14,19,20,21,22,25,26,27)(INCL 65,69)(PART OF 63)</b>	95	I (LW6) (3.0L)	1 93410647
1.656	<b>SCREEN,O/PMP(W/SUC PIPE)(*2,14,19,20,21,26,27)(INCL 65,69)(PART OF 63)</b>	96 - 97	I (LW6) (3.0L)	1 93410647
1.656	<b>SCREEN,O/PMP(W/SUC PIPE)(*21)(INCL 65,69)(PART OF 63)</b>	97	I (LW6)	1 93415669
1.656	<b>SCREEN,O/PMP(W/SUC PIPE)(*9,10,12,15,21,22)(INCL 65,69)(PART OF 63)</b>	91 - 96	I (LW6)	1 93415669
1.656	<b>SCREEN,O/PMP(*1,3,7,11,16,19,20,23,24,25,26,27)(W/TUBE)(INCL 65,69)(PART OF 63)</b>	91 - 94	I (LW6)	1 02778192
1.656	<b>SCREEN,O/PMP(*2,14,19,20,25,26,27)(W/TUBE)(INCL 65,69)(PART OF 63)</b>	95 - 96	I (LW6)	1 02778192
1.656	<b>SCREEN,O/PMP(*2,14,19,20,26,27)(W/TUBE)(INCL 65,69)(PART OF 63)</b>	97	I (LW6)	1 02778192
1.656	<b>SCREEN,O/PMP(*2,3,14,19,26,27,30,31,32)(W/TUBE)(INCL 65,69)(PART OF 63)</b>	98 - 99	I (LW6)	1 02778192
1.656	<b>SCREEN,O/PMP(*3,31,32,33)(INCL 65,69)(PART OF 63)</b>	03 - 04	I (LW6)	1 02778192
1.656	<b>SCREEN,O/PMP(*3,31,32,33,34)(INCL 65,69)(PART OF 63)</b>	00 - 02	I (LW6)	1 02778192
72.	0.056 <b>BOLT,CR/SHF BRG CAP(7/16-14 X 2.98)</b>	91 - 04	I (LW6)	10 03872781
73.	DISCONN <b>CAP,CR/SHF BRG</b>	91 - 02	I (LW6)	4 03970194
74.	0.137 <b>PIN,CR/SHF RR OIL SEAL HSG LOC(SPRING TYPE S 7/16X9/16 STL ZP)(8.940)</b>	91 - 04	I (LW6)	1 09441003
75.	0.137 <b>HOUSING,CR/SHF RR OIL SEAL(INCL 80,81)(0.659)</b>	91 - 04	I (LW6)	1 14088556
76.	0.137 <b>BOLT,CR/SHF RR OIL SEAL HSG(HFH,1/4-20X1.38,.52 OD,.75 THD,280M,PO)</b>	91 - 04	I (LW6)	AR 14096659
77.	0.137 <b>BOLT,CR/SHF RR OIL SEAL HSG</b>	91 - 04	I (LW6)	AR 14096658
78.	0.137 <b>GASKET,CR/SHF RR OIL SEAL HSG</b>	91 - 97	I (LW6)	1 12555771
	0.137 <b>GASKET,CR/SHF RR OIL SEAL HSG(*2,14,19,26,30,31,32)</b>	98 - 99	I (LW6)	1 12555771
	0.137 <b>GASKET,CR/SHF RR OIL SEAL HSG(*3,31,32,33,34)</b>	00 - 02	I (LW6)	1 12555771
	0.137 <b>GASKET,CR/SHF RR OIL SEAL HSG(*31,32,33,35)</b>	03 - 04	I (LW6)	1 12555771
79.	0.056 <b>STUD,CR/SHF BRG CAP</b>	00 - 04		
	0.056 <b>STUD,CR/SHF BRG CAP(*2,3,5,6,8,9,10,12,13,14,15,18,21,22,24,26,27)</b>	91 - 96	I (LW6)	1 03852870
	0.056 <b>STUD,CR/SHF BRG CAP(*21)</b>	97	I (LW6)	1 03852870
80.	0.137 <b>STUD,CR/SHF RR OIL SEAL RET(PART OF 75)(5/16 X 18 X 1 43/64)(1.428)</b>	91 - 04	I (LW6)	2 14080362
81.	0.137 <b>SEAL,CR/SHF RR OIL(NORMAL ROTATION)(PART OF 75)</b>	91 - 04	I (LW6)	1 10088158

82.	0.673	<b>GEAR,FLYWHL RING(*</b> 1,2,3,4,7,9,10,11,12,13,15,19,20,21,22,24,25,26,27) (PART OF 87))(153 TEETH)	91 - 95	I (LW6)	1	03991407
	0.673	<b>GEAR,FLYWHL RING(*19,20,21,22,24,26,27)(PART OF</b> 87))(153 TEETH)	96	I (LW6)	1	03991407
	0.673	<b>GEAR,FLYWHL RING(*19,20,21,26,27,30)(PART OF</b> 87))(153 TEETH)	97	I (LW6)	1	03991407
	0.673	<b>GEAR,FLYWHL RING(*19,26,27,30)(PART OF 87))(153</b> TEETH)	98 - 99	I (LW6)	1	03991407
	0.673	<b>GEAR,FLYWHL RING(*3,31,32,35)(PART OF 87))</b>	98 - 04	I (LW6)	1	00460583
83.	0.669	<b>WASHER,FLYWHL(*</b> 1,2,3,4,7,9,10,11,12,13,15,17,20,21,22,24,25.)(7/16) (EXT TOOTH LK)(8.932)	91 - 94	I (LW6)	1	00136857
	0.669	<b>WASHER,FLYWHL(*19,20,21,22,26,27)(7/16)(EXT</b> TOOTH LK)(8.932)	95 - 99	I (LW6)	1	00136857
	0.669	<b>WASHER,FLYWHL(*3,31,32,33,34)(7/16)(EXT TOOTH</b> LK)(8.932)	00 - 02	I (LW6)	1	00136857
84.	0.669	<b>BOLT,FLYWHL(*</b> 1,2,3,4,7,9,10,11,12,13,15,19,20,21,22,24,26,27)(7/16- 20X.97)	91 - 95	I (LW6)	6	00839756
	0.669	<b>BOLT,FLYWHL(*19,20,21,22,26,27)(7/16-20X.97)</b>	96 - 98	I (LW6)	6	00839756
	0.669	<b>BOLT,FLYWHL(*19,20,21,26,27)(7/16-20 X 31/32)</b>	95 - 97	I (LW6)	6	12337973
	0.669	<b>BOLT,FLYWHL(*19,26,27,30,31,32)(7/16-20 X 31/32)</b>	98 - 99	I (LW6)	6	12337973
	0.669	<b>BOLT,FLYWHL(*3,31,32)(7/16-20 X 31/32)</b>	00 - 02	I (LW6)	6	12337973
	0.669	<b>BOLT,FLYWHL(*31,32,35)(7/16-20X.97)</b>	03 - 04	I (LW6)	6	00839756
85.	0.446	<b>BOLT,VLV PUSH ROD CVR</b>	91 - 04	I (LW6)	4	03814350
86.	0.649	<b>BEARING,CLU PILOT(*1,4,7,11,19,20)(27.8MM)(AC-</b> DELCO #CT1078)	91 - 00	I (LW6)	1	14061685
	0.649	<b>BEARING,CLU PILOT(*3,31,32,33,34)(27.8MM)(AC-</b> DELCO #CT1078)	01 - 02	I (LW6)	1	14061685
87.	0.666	<b>FLYWHEEL,ENG(*</b> 1,2,3,4,7,9,10,11,12,13,15,19,20,21,22,24,26,27)(INCL 82))	91 - 95	I (LW6)	1	93422872
	0.666	<b>FLYWHEEL,ENG(*19,20,21,22,26,27)(INCL 82))</b>	96 - 97	I (LW6)	1	93422872
	0.666	<b>FLYWHEEL,ENG(*19,26,27,30)(INCL 82))</b>	98 - 99	I (LW6)	1	93422872
	0.666	<b>FLYWHEEL,ENG(*3,31,32,35)(INCL 82))</b>	01 - 04	I (LW6)	1	93419731
	0.666	<b>FLYWHEEL,ENG(*31,32)(INCL 82))</b>	98 - 99	I (LW6)	1	93419731
	0.666	<b>FLYWHEEL,ENG(*31,32,33)(INCL 82))</b>	00	I (LW6)	1	93419731
88.	NS	<b>COVER,VLV PUSH ROD(ORIGINAL CVR)(USE</b> 14096155 GASKET))	91 - 95	I (LW6)		03788548
	0.439	<b>COVER,VLV PUSH ROD(*</b> 1,2,3,5,7,8,9,10,12,13,14,15,16,19,21,22,23,24,25,26,27 ) (439.5MM X)	91 - 95	I (LW6)	1	93423830

	<b>0.439</b>	<b>COVER,VLV PUSH ROD(*</b> 2,14,19,21,22,25,26,27,30,31,32)(439.5MM X 108.5MM,4 RD CORNERS)(USE W/10021542 GASKET)	<b>96 - 99</b>	I (LW6)	<b>1</b>	<b>93423830</b>
	0.439	<b>COVER,VLV PUSH ROD(*3,31,32,33,34)(439.5MM X</b> 108.5MM,4 RD CORNERS)(USE W/10021542 GASKET)	00	I (LW6)	<b>1</b>	<b>93423830</b>
	0.439	<b>COVER,VLV PUSH ROD(439.5MM X 108.5MM,4 RD</b> CORNERS))	01 - 04	I (LW6)	<b>1</b>	<b>93423830</b>
89.	0.685	<b>PIN,TRANS LOC(5/8 X 1 3/16)(8.939)</b>	91 - 00	I (LW6)	<b>2</b>	<b>01453658</b>
	0.685	<b>PIN,TRANS LOC(*3,31,32,33,35)(5/8 X 1 3/16)(8.939)</b>	01 - 04	I (LW6)	<b>2</b>	<b>01453658</b>
90.	0.443	<b>GASKET,VLV PUSH ROD CVR(SEE ITEM #88)</b> (SERVICE ORIGINAL CVR ONLY)	91 - 95	I (LW6)	<b>AR</b>	<b>14096155</b>
	8.800	<b>SEALER,VLV PUSH ROD CVR(RTV SILICONE-)(3.35 OZ</b> TUBE)(WHEN REQUIRED)(AC-DELCO #12346141)	94 - 04	I (LW6)	<b>AR</b>	<b>12346141</b>
91.	1.531	<b>PLUG,ENG BLK OIL GAL(AUTO DRAIN,INT SQ,3/8-</b> 18X.42 PEOR STL)(8.971)	91 - 04	I (LW6)	<b>1</b>	<b>14090911</b>
92.	0.033	<b>ENGINE,3.0 L(181 CID)SERV PARTIAL(*</b> 1,4,7,11,19,20,21,22,29)	91 - 95	I (LW6)	<b>1</b>	<b>10159451</b>
	0.033	<b>ENGINE,3.0 L(181 CID)SERV PARTIAL(*14,25)</b>	95	I (LW6)	<b>1</b>	<b>93429813</b>
	0.033	<b>ENGINE,3.0 L(181 CID)SERV PARTIAL(*14,33)</b>	01 - 02	I (LW6)	<b>1</b>	<b>93429813</b>
	0.033	<b>ENGINE,3.0 L(181 CID)SERV PARTIAL(*19,20,21,22)</b>	96 - 97	I (LW6)	<b>1</b>	<b>10159451</b>
	0.033	<b>ENGINE,3.0 L(181 CID)SERV PARTIAL(*19,30,31,32)</b>	98 - 99	I (LW6)	<b>1</b>	<b>10159451</b>
	0.033	<b>ENGINE,3.0 L(181 CID)SERV PARTIAL(*2,14,25)</b>	96 - 99	I (LW6)	<b>1</b>	<b>93429813</b>
	0.033	<b>ENGINE,3.0 L(181 CID)SERV PARTIAL(*</b> 2,6,9,10,12,13,15)(*18)	91 - 93	I (LW6)	<b>1</b>	<b>10159451</b>
	0.033	<b>ENGINE,3.0 L(181 CID)SERV PARTIAL(*26)</b>	94	I (LW6)	<b>1</b>	<b>93435499</b>
	0.033	<b>ENGINE,3.0 L(181 CID)SERV PARTIAL(*26,27)</b>	95 - 99	I (LW6)	<b>1</b>	<b>93435499</b>
	0.033	<b>ENGINE,3.0 L(181 CID)SERV PARTIAL(*3)</b>	99 - 02	I (LW6)	<b>1</b>	<b>93435499</b>
	0.033	<b>ENGINE,3.0 L(181 CID)SERV PARTIAL(*</b> 3,5,8,14,16,23,25,27)	91 - 94	I (LW6)	<b>1</b>	<b>93429813</b>
	0.033	<b>ENGINE,3.0 L(181 CID)SERV PARTIAL(*31,32)</b>	00 - 04	I (LW6)	<b>1</b>	<b>10159451</b>
	0.033	<b>ENGINE,3.0 L(181 CID)SERV PARTIAL(*33)</b>	03 - 04	I (LW6)	<b>1</b>	<b>93429813</b>
	0.033	<b>ENGINE,3.0 L(181 CID)SERV PARTIAL(*33,34)</b>	00	I (LW6)	<b>1</b>	<b>93429813</b>
	0.033	<b>ENGINE,3.0 L(181 CID)SERV PARTIAL(*35)</b>	03 - 04	I (LW6)	<b>1</b>	<b>93435499</b>
93.	0.553	<b>PLUG,CM/SHF RR BRG HOLE</b>	91 - 99	I (LW6)	<b>1</b>	<b>03704158</b>
	0.553	<b>PLUG,CM/SHF RR BRG HOLE(8.970)</b>	98 - 04	I (LW6)	<b>AR</b>	<b>10241154</b>
	0.553	<b>PLUG,CM/SHF RR BRG HOLE(*3,31,32,33,34)(8.970)</b>	00	I (LW6)	<b>AR</b>	<b>10241154</b>
94.	0.034	<b>PLUG,ENG BLK CORE HOLE</b>	91 - 93	I (LW6)	<b>AR</b>	<b>03826505</b>
	0.034	<b>PLUG,ENG BLK CORE HOLE(*19,20,21,22,24,25)</b>	94	I (LW6)	<b>AR</b>	<b>03826505</b>
	0.034	<b>PLUG,ENG BLK CORE HOLE(50.8MM)(CUP TYPE)(*23)</b>	94	I (LW6)	<b>AR</b>	<b>03789860</b>
	0.034	<b>PLUG,ENG BLK CORE HOLE(*19,20,21,22,26,27)</b>	95 - 99	I (LW6)	<b>AR</b>	<b>03826505</b>
	0.034	<b>PLUG,ENG BLK CORE HOLE(50.8MM)(CUP TYPE)(*</b> 2,14,25)	95 - 98	I (LW6)	<b>AR</b>	<b>03789860</b>

	<b>0.034</b>	<b>PLUG,ENG BLK CORE HOLE(*3,31,32,33,34)</b>	<b>00 - 01</b>	I (LW6)	<b>AR 03826505</b>
	0.034	<b>PLUG,ENG BLK CORE HOLE(*3,31,32,33,34)</b>	02	I (LW6)	<b>AR 03826505</b>
	0.034	<b>PLUG,ENG BLK CORE HOLE(*33,35,39,40)</b>	03 - 04	I (LW6)	<b>AR 03826505</b>
95.	NS	<b>PLUG,OIL LVL IND TUBE HOLE</b>			
96.	1.531	<b>PLUG,ENG BLK OIL GAL(37/64 DIA)(8.970)</b>	91 - 04	I (LW6)	<b>1 03835577</b>
97.	1.516	<b>TUBE,OIL LVL IND(*14)</b>	96 - 97	I (LW6)	<b>1 93434708</b>
	1.516	<b>TUBE,OIL LVL IND(*14,24,26,27)</b>	94	I (LW6)	<b>1 93434708</b>
	1.516	<b>TUBE,OIL LVL IND(*2,14,24,25,26,27)</b>	95	I (LW6)	<b>1 93434708</b>
	1.516	<b>TUBE,OIL LVL IND(*2,14,27)</b>	98 - 99	I (LW6)	<b>1 93434708</b>
	DISCONN	<b>TUBE,OIL LVL IND(*2,27)</b>	96 - 97	I (LW6)	<b>1 02768595</b>
	1.516	<b>TUBE,OIL LVL IND(*2,27)</b>	96 - 99	I (LW6)	<b>1 93434708</b>
	1.516	<b>TUBE,OIL LVL IND(*25,26)</b>	96 - 99	I (LW6)	<b>1 93434708</b>
	1.516	<b>TUBE,OIL LVL IND(*3 - 14,16 SECOND DESIGN - 17 (OEM ENGINE BDCST CODE 2RW W/FRT SUMP OIL PAN.)</b>	91 - 93	I (LW6)	<b>1 93434708</b>
	1.516	<b>TUBE,OIL LVL IND(*3,19,26,27)</b>	99	I (LW6)	<b>1 93434708</b>
	1.516	<b>TUBE,OIL LVL IND(*3,33)</b>	03 - 04	I (LW6)	<b>1 93434708</b>
	1.516	<b>TUBE,OIL LVL IND(*3,33,34)</b>	00 - 02	I (LW6)	<b>1 93434708</b>
	1.516	<b>TUBE,OIL LVL IND(*5,8 - 14,16 FIRST DESIGN - 17 OEM ENGINE BDCST CODE 2RA W/REAR SUMP OIL PAN.)</b>	91 - 93	I (LW6)	<b>1 93420020</b>
98.	1.516	<b>INDICATOR,OIL LVL(*2,3,14,25,26,27)</b>	95 - 99	I (LW6)	<b>1 14025224</b>
	1.516	<b>INDICATOR,OIL LVL(*3,33)</b>	03 - 04	I (LW6)	<b>1 14025224</b>
	1.516	<b>INDICATOR,OIL LVL(*3,33,34)</b>	00 - 02	I (LW6)	<b>1 14025224</b>
	1.516	<b>INDICATOR,OIL LVL(*3,5,8,14,16,23,24,25)</b>	91 - 94	I (LW6)	<b>1 14025224</b>
100.	8.800	<b>SEALER,VLV PUSH ROD CVR(BLACK)(5 OZ CARTRIDGE)(LOCTITE RTV 5900)(AC-DELCO # 12346286)</b>	95 - 04	I (LW6)	<b>AR 12346286</b>
101.	0.446	<b>STUD,VLV PUSH ROD CVR(*2,3,14,26,27)</b>	96 - 99	I (LW6)	<b>1 00352169</b>
	0.446	<b>STUD,VLV PUSH ROD CVR(*3,33,34)</b>	00 - 02	I (LW6)	<b>1 00352169</b>
	0.446	<b>STUD,VLV PUSH ROD CVR(*33,35)</b>	03 - 04	I (LW6)	<b>1 00352169</b>
102.	0.439	<b>NUT,VLV PUSH ROD CVR(*14)(8.915)</b>	96 - 99	I (LW6)	<b>AR 00451399</b>
	0.439	<b>NUT,VLV PUSH ROD CVR(*3,33,34)(8.915)</b>	00 - 01	I (LW6)	<b>AR 00451399</b>
	0.439	<b>NUT,VLV PUSH ROD CVR(*3,33,34)(8.915)</b>	02 - 04	I (LW6)	<b>AR 00451399</b>
103.	0.446	<b>WASHER,VLV PUSH ROD CVR(*14)(25/64 X 47/64 X 1/16)(8.929)</b>	96 - 97	I (LW6)	<b>3 02436163</b>
	0.446	<b>WASHER,VLV PUSH ROD CVR(*2,14)(25/64 X 47/64 X 1/16)(8.929)</b>	98	I (LW6)	<b>3 02436163</b>
	0.446	<b>WASHER,VLV PUSH ROD CVR(*2,3,14,27)(25/64 X 47/64 X 1/16)(8.929)</b>	99	I (LW6)	<b>3 02436163</b>
	0.446	<b>WASHER,VLV PUSH ROD CVR(*3,33)(25/64 X 47/64 X 1/16)(8.929)</b>	03 - 04	I (LW6)	<b>3 02436163</b>



**0.446 WASHER,VLV PUSH ROD CVR(\*3,33,34)(25/64 X 47/64 X 1/16)(8.929) 00 - 02 I (LW6)**

**3 02436163**

- NOTE 01: 3.0L 181 CID MARINE ENG. 1991 14097242 (1RT); 1992 14097382 (2RT); 1993 10213737 (3RT).
- NOTE 02: 3.0L 181 CID MARINE ENG. 1991 14097244 (1RS),1992 14097384 (2RS), 1993 10213741 (3RS),1996 93427130 (6RS),1997 93428833 (7RS),1998 93430376 (8RS),1999 93433192 (9RS),SE
- NOTE 03: 3.0L 181 CID INDUSTRIAL ENG.1991 14097398(1RH),1992 14097399 (2RH),1993 10213742 (3RH),1999 93433798 (9RH),2000 93434772 (ORH),2001 93436569 (1RH),2002 93437121 (2RH),SE
- NOTE 04: 3.0L 181 CID MARINE ENG. 1991 14097438 (1RJ); 1992 14097440 (2RJ); 1993 10213743 (3RJ).
- NOTE 05: 3.0L 181 CID MARINE ENG. 1991 14097251 (1RZ); 1992 14097393 (2RZ); 1993 10213758 (3RZ).
- NOTE 06: 3.0L 181 CID MARINE ENG. 1991 14097249 (1RD); 1992 14097391 (2RD); 1993 10213828 (3RD).
- NOTE 07: 3.0L 181 CID MARINE ENG. 1991 14097246 (1RX); 1992 14097387 (2RX); 1993 10213829 (3RX).
- NOTE 08: 3.0L 181 CID MARINE ENG. 1991 14097250 (1RY); 1992 14097392 (2RY); 1993 10213830 (3RY).
- NOTE 09: 3.0L 181 CID MARINE ENG. 1991 14097376 (1RB); 1992 14097385 (2RB); 1993 10214171 (3RB).
- NOTE 10: 3.0L 181 CID MARINE ENG. 1991 14097377 (1RC); 1992 14097390 (2RC); 1993 10214172 (3RC).
- NOTE 11: 3.0L 181 CID MARINE ENG. 1991 14097439 (1RK); 1992 14097441 (2RK); 1993 10214176 (3RK).
- NOTE 12: 3.0L 181 CID MARINE ENG. 1991 14097247 (1RR); 1992 14097388 (2RR); 1993 10214178 (3RR).
- NOTE 13: 3.0L 181 CID MARINE ENG. 1991 14097248 (1RU); 1992 14097389 (2RU); 1993 10214179 (3RU).
- NOTE 14: 3.0L 181 CID INDUSTRIAL ENG. 1991 14097330 (1RA),1992 14097394 (2RA), 1995 93427533 (5RA),1996 93427535 (6RA),1997 93428834 (7RA),1998 93430377 (8RA),1999 93433187
- NOTE 15: 3.0L 181 CID MARINE ENG. 1991 14097243 (1RP), 1992 14097383 (2RP), 1993 10214177 (3RP).
- NOTE 16: 3.0L 181 CID MARINE ENG. 1992 10224590 (2RW),1993 10224591 (3RW).
- NOTE 17: FIRST DESIGN IS WITH REAR SUMP OIL PAN; SECOND DESIGN IS WITH FRONT SUMP OIL PANL.
- NOTE 18: MAY NEED TO REMOVE RIGHT HAND #4 MAIN BEARING CAP BOLT AND REPLACE WITH #3852870 STUD (ITEM #79).
- NOTE 19: 3.0L 181 CID MARINE ENG.1994 10232482 (4RX),1995 12552044 (5RX),1996 93427129 (6RX),1997 93428832 (7RX),1998 93430375 (8RX),1999 93433194(9RX).
- NOTE 20: 3.0L 181 CID MARINE ENG.1994 10232483 (4RK),1995 12552042 (5RK),1996 93427127 (6RK),1997 93428830 (7RK),1998 93430373 (8RK).
- NOTE 21: 3.0L 181 CID MARINE ENG.1994 10232486 (4RR),1995 12552043 (5RR),1996 93427128 (6RR),1997 93428831 (7RR).
- NOTE 22: 3.0L 181 CID MARINE ENG.1994 10232487 (4RC),1995 12552041 (5RC),1996 93427126 (6RC).
- NOTE 23: 3.0L 181 CID INDUSTRIAL ENG.1994 10232511 (4RW)(CANC REPL BY -->(12551321(4RN).
- NOTE 24: 3.0L 181 CID INDUSTRIAL ENG.1994 10243387 (4RL)(CANC REPL BY -->(12551320(4RM).
- NOTE 25: 3.0L 181 CID INDUSTRIAL ENG.1994 12551321 (4RN),1995 12552039 (5RN),1996 93427124 (6RN).
- NOTE 26: 3.0L 181 CID CRUSADER ENG. 1994 12551276 (4RF),1995 12552040 (5RF),1996 93427125 (6RF),1997 93428829 (7RF).1998 93430372 (8RF).1999 93433188 (9RF).
- NOTE 27: 3.0L 181 CID INDUSTRIAL ENG.1994 12551320 (4RM),1995 12552038 (5RM),1996 93427123 (6RM),1997 93428828 (7RM),1998 93430371 (8RM),1999 93433189 (9RM).
- NOTE 30: 3.0L 181 CID MARINE ENG. ,1998 93430374 (8RV).
- NOTE 31: 3.0L 181 CID MARINE ENG.,1998 93432747 (8RP),1999 93433190 (9RP),2000 93434773 (ORP),2001 93436570 (1RP).2002 93437122 (2RP).2003 93437127 (3RP).2004 93441792 (4RP)
- NOTE 32: 3.0L 181 CID MARINE ENG.,1998 93432786 (8RQ),1999 93433191 (9RQ),2000 93434774 (ORQ),2001 93436571

(1RQ),2002 93437123 (2RQ),2003 93437128 (3RQ),2004 93441793 (4RQ)

NOTE 33: 3.0L 181 CID INDUSTRIAL ENG.,2000 93434775 (ORS),2001 93436572 (1RS),2002 93437124 (2RS),2003 93437129 (3RS),2004 93441794 (4RS),2005 93445913 (5RS),93445919 (6RS)

NOTE 34: 3.0L 181 CID MARINE ENG. ,2000 93434771 (ORA),2001 93436568 (1RA),2002 93437120 (2RA)

NOTE 35: 3.0L 181 CID INDUSTRIAL ENG.2003 93437126 (3RH),2004 93441791 (4RH),2005 93445910 (5RH),0000 93445916 (6RH),0000 93445922 (7RH),

NOTE 37: NOTE:WHEN USING 93435504 CRANKSHAFT IN PLACE OF 93427534 CRANKSHAFT -DEALER MUST USE T/W 10108688(QTY-4)CONNECTING RODS-T/W 12493123(STD)BEARINGS KIT,CONN(QTY-4)-OR-SEE

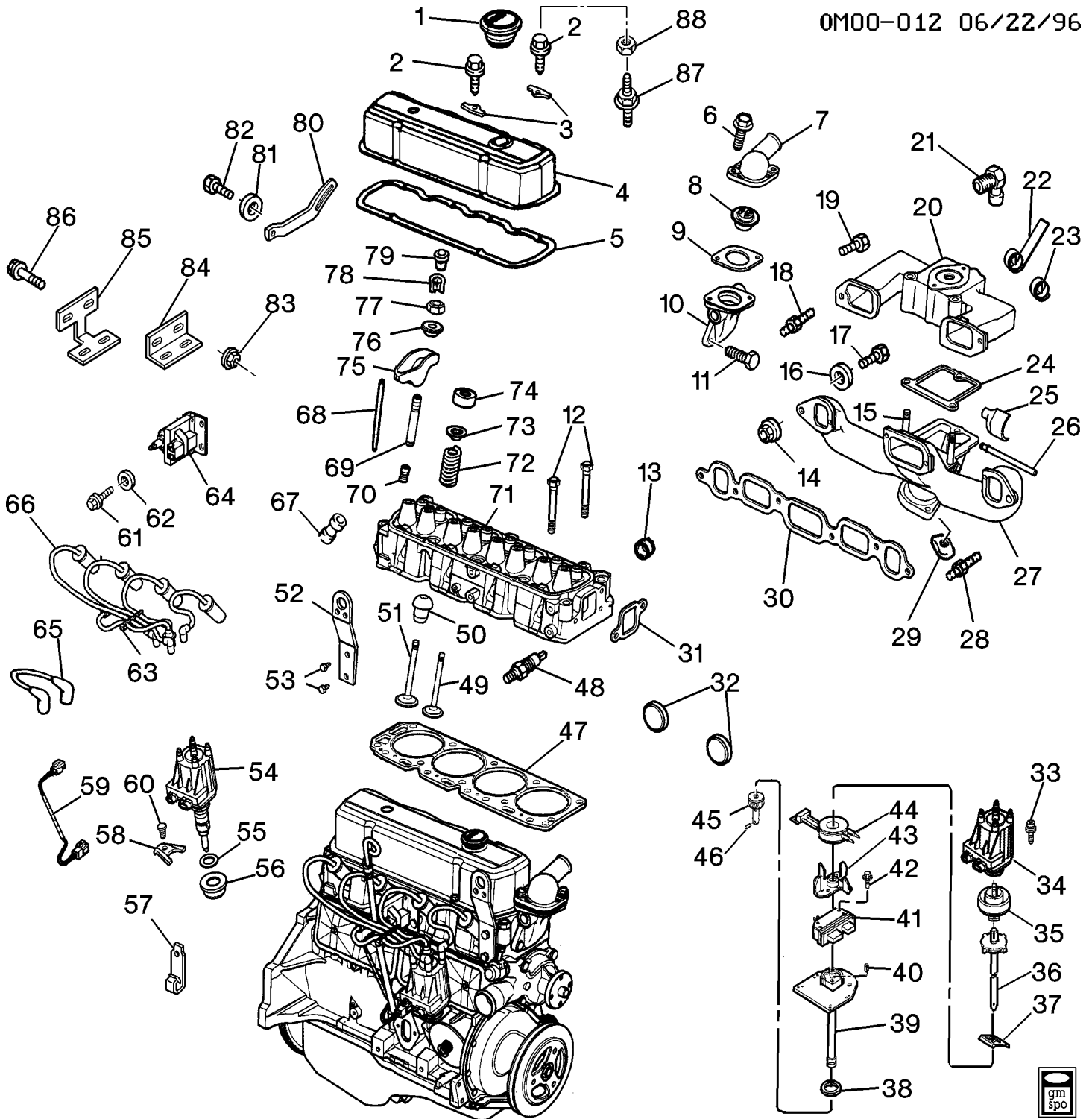
NOTE 38: OR 12493124 BEARING KIT,CONN ROD (QTY-4)(0.001 U.S.)-SEE ISSUE BULLETIN 2003-JUNE-ENGINE RPO LW6

NOTE 39: 3.0L 181 CID MARINE ENG.2005 93445911 (5RP),0000 93445917 (6RP),0000 93445923 (7RP),

NOTE 40: 3.0L 181 CID MARINE ENG.2005 93445912 (5RQ),0000 93445918 (6RQ),0000 93445924 (7RQ)

#### RPO DEFINITIONS

LW6 - ENGINE,GAS,4 CYL



OM00-012D

**1991-2004 I ENGINE ASM-3.0L L4 PART 2 (3.0L/181 CID)(MARINE/INDUSTRIAL)**

1.	1.758	CAP,OIL FIL(* 1,2,3,5,6,7,8,9,10,12,13,14,15,16,19,21,22,23,24,25,26, 27)(PUSH ON TYPE)(RUBBER 10W30)(AC-DELCO #FC140)	91 - 96 I (LW6)	1	10110859
	1.758	CAP,OIL FIL(*19,21,26,27 RUBBER 10W30)(AC-	97 I (LW6)	1	10110859

		DELCO #FC140)			
1.758		<b>CAP,OIL FIL(*3,19,21,26,27,30,31,32)(PUSH ON TYPE) (RUBBER 10W30)(AC-DELCO #FC140)</b>	98 - 99	I (LW6)	1 10110859
1.758		<b>CAP,OIL FIL(*3,31,32,33 RUBBER 10W30)(AC-DELCO #FC140)</b>	03 - 04	I (LW6)	1 10110859
1.758		<b>CAP,OIL FIL(*3,31,32,33,34 RUBBER 10W30)(AC- DELCO #FC140)</b>	00 - 02	I (LW6)	1 10110859
2.	0.413	<b>BOLT,VLV RKR ARM CVR(1/4-20X.87)(SPL HFH,DOG PT,FULL THD)(1.428)</b>	91 - 93	I (LW6)	AR 25520079
	0.413	<b>BOLT,VLV RKR ARM CVR(1/4-20 X 1/2,1/8 THD) (300M,PC)(8.900)</b>	94 - 00	I (LW6)	AR 09442895
	0.413	<b>BOLT,VLV RKR ARM CVR(1/4-20X1/2 .50D 300 PC) (8.900)</b>	01 - 04	I (LW6)	6 09439930
3.	0.413	<b>REINFORCEMENT,VLV RKR ARM CVR(* 1,2,3,5,6,7,8,9,10,12,13,14,15,16,19,21,22,23,24,25,26, 27)</b>	91 - 96	I (LW6)	AR 03877670
	0.413	<b>REINFORCEMENT,VLV RKR ARM CVR(* 2,3,14,19,21,26,27,30,31,32)</b>	97 - 99	I (LW6)	AR 03877670
	0.413	<b>REINFORCEMENT,VLV RKR ARM CVR(*3,31,32,33)</b>	03 - 04	I (LW6)	AR 03877670
	0.413	<b>REINFORCEMENT,VLV RKR ARM CVR(*3,31,32,33,34)</b>	00 - 02	I (LW6)	AR 03877670
4.	0.386	<b>COVER,VLV RKR ARM(* 1,2,3,5,7,8,9,10,12,13,14,15,16,19,21,22,23,24,25,26,27 ) (INCL 57)</b>	91 - 95	I (LW6)	1 02770089
	0.386	<b>COVER,VLV RKR ARM(* 2,14,19,21,22,25,26,27,30,31,32)(INCL 57)</b>	96 - 99	I (LW6)	1 02770089
	0.386	<b>COVER,VLV RKR ARM(*3,31,32,33)(INCL 57)</b>	03 - 04	I (LW6)	1 02770089
	0.386	<b>COVER,VLV RKR ARM(*3,31,32,33,34)(INCL 57)</b>	00 - 02	I (LW6)	1 02770089
	0.386	<b>COVER,VLV RKR ARM(*4,11,20)(INCL 57)</b>	91 - 98	I (LW6)	1 02769092
	0.386	<b>COVER,VLV RKR ARM(*6)(INCL 57)</b>	91 - 93	I (LW6)	1 02770090
5.	0.423	<b>GASKET,VLV RKR ARM CVR(* 1,2,3,5,6,7,8,9,10,12,13,14,15,16,19,21,22,23,24,25,26, 27)</b>	91 - 95	I (LW6)	AR 14096154
	0.423	<b>GASKET,VLV RKR ARM CVR(* 2,3,14,19,21,22,25,26,27,30,31,32)</b>	96 - 99	I (LW6)	AR 14096154
	0.423	<b>GASKET,VLV RKR ARM CVR(*3,31,32,33)</b>	03 - 04	I (LW6)	AR 14096154
	0.423	<b>GASKET,VLV RKR ARM CVR(*3,31,32,33,34)</b>	00 - 02	I (LW6)	AR 14096154
6.	8.900	<b>BOLT,ENG COOL THERM HSG(*26,27)(3/8-16 X 1.00, 300M, HEX)(AC-DELCO #9424320)</b>	96 - 99	I (LW6)	3 09424320
	8.900	<b>BOLT,ENG COOL THERM HSG(*3,33,35)(3/8-16 X 1.00, 300M, HEX)(AC-DELCO #9424320)</b>	00 - 04	I (LW6)	3 09424320
	8.900	<b>BOLT,ENG COOL THERM HSG(*3,5,6)(3/8-16X .88, 280M)(HFH)</b>	91 - 93	I (LW6)	2 09440169
	8.900	<b>BOLT,ENG COOL THERM HSG(*3,5,6,24,26,27)(3/8-16</b>	91 - 95	I (LW6)	3 09424320

		X 1.00, 300M, HEX)(AC-DELCO #9424320)		
7.	1.153	OUTLET,WAT(*3)	00 - 02	I (LW6) 1 03841191
	1.153	OUTLET,WAT(*3,35)	03 - 04	I (LW6) 1 14096853
	1.153	OUTLET,WAT(*3,5,6,24,26,27)	91 - 99	I (LW6) 1 03841191
8.	1.246	THERMOSTAT,ENG COOL(*3,35)(AC-DELCO #131-84)	00 - 04	I (LW6) 1 10220957
	1.246	THERMOSTAT,ENG COOL(*3,5,6,24,26,27)(AC-DELCO #131-84)	91 - 99	I (LW6) 1 10220957
9.	1.154	GASKET,WAT OTLT(*3,26,27)(AC-DELCO #10105135)	97 - 99	I (LW6) 1 10105135
	1.154	GASKET,WAT OTLT(*3,35)(AC-DELCO #10105135)	00 - 04	I (LW6) 1 10105135
	1.154	GASKET,WAT OTLT(*3,5,6,24,26,27)(AC-DELCO #10105135)	91 - 96	I (LW6) 1 10105135
10.	1.251	HOUSING,ENG COOL THERM(*3,35)	00 - 04	I (LW6) 1 03789160
	1.251	HOUSING,ENG COOL THERM(*3,5,6,24,26,27)	91 - 99	I (LW6) 1 03789160
11.	8.900	BOLT,ENG COOL THERM HSG(*26,27)(3/8-16 X 1.00, 300M, HEX)(AC-DELCO #9424320)	96 - 99	I (LW6) 3 09424320
	8.900	BOLT,ENG COOL THERM HSG(*3,33,35)(3/8-16 X 1.00, 300M, HEX)(AC-DELCO #9424320)	00 - 04	I (LW6) 3 09424320
	8.900	BOLT,ENG COOL THERM HSG(*3,5,6)(3/8-16X .88, 280M)(HFH)	91 - 93	I (LW6) 2 09440169
	8.900	BOLT,ENG COOL THERM HSG(*3,5,6,24,26,27)(3/8-16 X 1.00, 300M, HEX)(AC-DELCO #9424320)	91 - 95	I (LW6) 3 09424320
12.	0.293	BOLT,CYL HD(HEX,1/2-13X3.6,1041 STZ,PLAIN,MACH,W/SEALER)	94 - 04	I (LW6) AR 10166832
	0.293	BOLT,CYL HD(*17)(HEX,1/2-13X3.6,1041 STZ,PLAIN,MACH,W/SEALER)	91 - 93	I (LW6) AR 10166832
13.	0.293	PLUG,CYL HD CORE HOLE(0.034)	91 - 04	I (LW6) 2 03826506
14.	3.604	NUT,EXH MANIF(*2,25,26,27)(3/8-24)(HEX)(0.626)	95 - 96	I (LW6) 12 03866766
	3.604	NUT,EXH MANIF(*2,3,25,26,27)(3/8-24, 301M ZC *) (HEX)(8.915)	96 - 99	I (LW6) 8 00225854
	3.604	NUT,EXH MANIF(*2,3,26,27)(3/8-24)(HEX)(0.626)	97 - 99	I (LW6) 12 03866766
	3.604	NUT,EXH MANIF(*3,33)(3/8-24)(HEX)(0.626)	00 - 04	I (LW6) 2 03866766
	3.604	NUT,EXH MANIF(*3,33,35)(3/8-24, 301M ZC *) (HEX)(8.915)	00 - 04	I (LW6) 8 00225854
	3.604	NUT,EXH MANIF(*8,9,11,16,23,24,25,26,27)(3/8-24, 301M ZC *) (HEX)(8.915)	91 - 95	I (LW6) 8 00225854
15.	3.275	STUD,INT MANIF(*2,3,25,26,27)(STRAIGHT,NO THDS "A"SIDE,3/8-16X0.3,0.9 TOTAL LEN,1018,PLAIN)	96 - 00	I (LW6) 2 03835487
	3.275	STUD,INT MANIF(*3,33,35)(STRAIGHT,NO THDS "A"SIDE,3/8-16X0.3,0.9 TOTAL LEN,1018,PLAIN)	01 - 04	I (LW6) 2 03835487
	3.275	STUD,INT MANIF(*3,5,8,14,16,23,24,25,26,27)(STRAIGHT,NO THDS "A"SIDE,3/8-16X0.3,0.9 TOTAL LEN,1018,PLAIN)	91 - 95	I (LW6) 2 03835487

16.	3.275	WASHER,EXH MANIF(*2,25,26,27)(#10X18.30)(LK)(8.931)	96	I (LW6)	AR 11500046
	3.275	WASHER,EXH MANIF(*2,3,26,27)(#10X18.30)(LK)(8.931)	97 - 99	I (LW6)	AR 11500046
	3.275	WASHER,EXH MANIF(*24,25,26,27)(#10X18.30)(LK)(8.931)	93 - 95	I (LW6)	AR 11500046
	3.275	WASHER,EXH MANIF(*3,33)(#10X18.30)(LK)(8.931)	00 - 02	I (LW6)	AR 11500046
	3.275	WASHER,EXH MANIF(*3,5,8,14,16,23,24,25,26,27)(29/64 X 49/64 X 7/64)(HEL SPR LK)(8.931)	91 - 96	I (LW6)	6 09439513
17.	3.275	BOLT,EXH MANIF(*2,3,25,26,27)(3/8-16 X 1.00, 300M, HEX)(8.900)(AC-DELCO #9424320)	96 - 00	I (LW6)	3 09424320
	3.275	BOLT,EXH MANIF(*3)(3/8-16 X 1.00, 300M, HEX)(8.900)(AC-DELCO #9424320)	01 - 04	I (LW6)	3 09424320
	3.275	BOLT,EXH MANIF(*3,5,8,14,16,23,24,25,26,27)(3/8-16 X 1.00, 300M, HEX)(8.900)(AC-DELCO #9424320)	91 - 95	I (LW6)	3 09424320
	3.275	BOLT,EXH MANIF(*33,35)(3/8-16 X 1.00, 300M, HEX)(8.900)(AC-DELCO #9424320)	03 - 04	I (LW6)	3 09424320
18.	3.275	STUD,EXH MANIF(*2,25,26,27)	95 - 99	I (LW6)	1 03794230
	3.275	STUD,EXH MANIF(*3,33)	00 - 02	I (LW6)	1 03794230
	3.275	STUD,EXH MANIF(*3,5,8,14,16,23,24,25,26,27)	91 - 95	I (LW6)	1 03794230
	3.275	STUD,EXH MANIF(*33,35)	03 - 04	I (LW6)	1 03794230
19.	3.275	BOLT,INT MANIF(*3)(3/8-16 X 1 1/4, 300M)(HEX)( USE T/W 12346193 SEALER)(8.900)	00 - 02	I (LW6)	AR 09440954
	3.275	BOLT,INT MANIF(*3,26,27)(3/8-16 X 1 1/4, 300M)(HEX)( USE T/W 12346193 SEALER)(8.900)	97 - 99	I (LW6)	AR 09440954
	3.275	BOLT,INT MANIF(*3,33,35)(3/8-16 X 1 1/4, 300M)(HEX)( USE T/W 12346193 SEALER)(8.900)	03 - 04	I (LW6)	AR 09440954
	3.275	BOLT,INT MANIF(*3,5,8,14,16,24,26,27)(3/8-16 X 1 1/4, 300M)(HEX)( USE T/W 12346193 SEALER)(8.900)	91 - 96	I (LW6)	AR 09440954
20.	3.265	MANIFOLD,INT(*2,3,25,26,27)	96 - 99	I (LW6)	1 05743050
	3.265	MANIFOLD,INT(*3,5,8,14,16,23,24,25,26,27)	91 - 95	I (LW6)	1 05743050
	3.265	MANIFOLD,INT(*33,35)	00 - 04	I (LW6)	1 05743050
21.	3.278	FITTING,INT MANIF VAC(*3,24,26,27)	91 - 95	I (LW6)	1 03989020
	3.278	FITTING,INT MANIF VAC(*3,26,27)	96 - 99	I (LW6)	1 03989020
	3.278	FITTING,INT MANIF VAC(*3,35)	00 - 04	I (LW6)	1 03989020
22.	DISCONN	SPRING,EFE VLV A/RTL(*2)(3.641)	97 - 99	I (LW6)	1 00602799
	DISCONN	SPRING,EFE VLV A/RTL(*2,25)(3.641)	96	I (LW6)	1 00602799
	DISCONN	SPRING,EFE VLV A/RTL(*33)(3.641)	00 - 04	I (LW6)	1 00602799
	DISCONN	SPRING,EFE VLV A/RTL(*5,8,14,16,23,25)(3.641)	91 - 95	I (LW6)	1 00602799
23.	3.640	THERMOSTAT,EFE VLV(*2)	97 - 99	I (LW6)	1 00838573
	3.640	THERMOSTAT,EFE VLV(*2,25)	96	I (LW6)	1 00838573
	3.640	THERMOSTAT,EFE VLV(*33)	00 - 04	I (LW6)	1 00838573

	<b>3.640</b>	<b>THERMOSTAT,EFE VLV(*5,8,14,16,23,25)</b>	<b>91 - 95</b>	<b>I (LW6)</b>	<b>1</b>	<b>00838573</b>
24.	3.272	<b>GASKET,EXH MANIF(*2,3,25,26,27)(3.270)</b>	96 - 00	I (LW6)	1	10141249
	3.272	<b>GASKET,EXH MANIF(*3,5,8,14,23,24,25,26,27)(3.270)</b>	91 - 95	I (LW6)	1	10141249
	3.270	<b>GASKET,EXH MANIF(*33,35)</b>	01 - 04	I (LW6)	1	10141249
25.	3.130	<b>BUSHING,EFE VLV SHF(*2)</b>	97 - 99	I (LW6)	2	03848282
	3.130	<b>BUSHING,EFE VLV SHF(*2,25)</b>	96	I (LW6)	2	03848282
	3.130	<b>BUSHING,EFE VLV SHF(*23,25)</b>	94	I (LW6)	2	03848282
	3.130	<b>BUSHING,EFE VLV SHF(*25)</b>	95	I (LW6)	2	03848282
	3.130	<b>BUSHING,EFE VLV SHF(*33)</b>	00 - 04	I (LW6)	2	03848282
	3.130	<b>BUSHING,EFE VLV SHF(*5,8,14)</b>	91 - 93	I (LW6)	2	03848282
26.	NS	<b>SHAFT,EFE VLV(PART OF 27)(*5,8,14,23,25)</b>				
27.	3.601	<b>MANIFOLD,EXH(*2)(INCL 26)</b>	97 - 99	I (LW6)	1	00458432
	3.601	<b>MANIFOLD,EXH(*2,25)(INCL 26)</b>	96	I (LW6)	1	00458432
	3.601	<b>MANIFOLD,EXH(*3,24,26,27)(INCL 26)</b>	91 - 95	I (LW6)	1	02767499
	3.601	<b>MANIFOLD,EXH(*3,26,27)(INCL 26)</b>	96 - 99	I (LW6)	1	02767499
	3.601	<b>MANIFOLD,EXH(*3,35)(INCL 26)</b>	00 - 04	I (LW6)	1	02767499
	3.601	<b>MANIFOLD,EXH(*33)(INCL 26)</b>	00 - 04	I (LW6)	1	00458432
	3.601	<b>MANIFOLD,EXH(*5,8,14,16,23)(INCL 26)</b>	91 - 95	I (LW6)	1	00458432
28.	3.613	<b>STUD,EXH PIPE(*2,3,25,26,27)</b>	96 - 99	I (LW6)	2	14088827
	3.613	<b>STUD,EXH PIPE(*3,33)</b>	00 - 02	I (LW6)	2	14088827
	3.613	<b>STUD,EXH PIPE(*3,5,8,14,16,23,24,25,26,27)</b>	91 - 95	I (LW6)	2	14088827
	3.613	<b>STUD,EXH PIPE(*33,35)</b>	03 - 04	I (LW6)	2	93426017
	3.613	<b>STUD,EXH PIPE(*35)</b>	03 - 04	I (LW6)	2	14088827
29.	3.273	<b>CLAMP,INT &amp; EXH MANIF(*2,3,26,27)</b>	97 - 99	I (LW6)	4	03792519
	3.273	<b>CLAMP,INT &amp; EXH MANIF(*26,27)</b>	96	I (LW6)	4	03792519
	3.273	<b>CLAMP,INT &amp; EXH MANIF(*3,33,35)</b>	00 - 04	I (LW6)	4	03792519
	3.273	<b>CLAMP,INT &amp; EXH MANIF(*3,5,8,14,16,23,24,25,26,27)</b>	91 - 95	I (LW6)	4	03792519
30.	3.270	<b>GASKET,INT MANIF(*2,3,25,26,27)</b>	96 - 99	I (LW6)	1	12517943
	3.270	<b>GASKET,INT MANIF(*3,34)</b>	00 - 02	I (LW6)	1	12517943
	3.270	<b>GASKET,INT MANIF(*3,5,8,14,16,23,24,25,26,27)</b>	91 - 95	I (LW6)	1	12517943
	3.270	<b>GASKET,INT MANIF(*33,35)</b>	03 - 04	I (LW6)	1	12517943
31.	1.252	<b>GASKET,ENG COOL THERM HSG(*3,26,27)</b>	96 - 99	I (LW6)	1	10140501
	1.252	<b>GASKET,ENG COOL THERM HSG(*3,35)</b>	00 - 04	I (LW6)	1	10140501
	1.252	<b>GASKET,ENG COOL THERM HSG(*3,5,6,24,26,27)</b>	91 - 95	I (LW6)	1	10140501
32.	0.034	<b>PLUG,ENG BLK CORE HOLE(* 1,2,3,4,5,6,7,8,9,10,11,12,13,14,15,19,20,21,22,24,26,2 7)</b>	91 - 95	I (LW6)	AR	88891749
	8.970	<b>PLUG,WATER JACKET SIDE(ENG BLK CORE HOLE)(* 16,23,25)(0.034)</b>	91 - 95	I (LW6)	AR	00838538
	0.034	<b>PLUG,ENG BLK CORE HOLE(*19,20,21,22,26,27)</b>	96 - 99	I (LW6)	AR	88891749
	8.970	<b>PLUG,WATER JACKET SIDE(ENG BLK CORE HOLE)(* 16,23,25)(0.034)</b>	96 - 98	I (LW6)	AR	00838538

	2,14,25)(0.034)			
0.034	<b>PLUG,ENG BLK CORE HOLE(*03,31,32,33,34)</b>	<b>00 - 01</b>	I (LW6)	<b>AR 88891749</b>
0.034	<b>PLUG,ENG BLK CORE HOLE(*03,31,32,33,34)</b>	02	I (LW6)	<b>AR 88891749</b>
33.	2.368 <b>BOLT,DISTR CAP(PART OF 54)(AC-DELCO #10469669)</b>	91 - 04	I (LW6)	<b>2 10469669</b>
34.	2.367 <b>CAP,DISTR(PART OF 54)</b>	91 - 95	I (LW6)	<b>1 10469698</b>
	2.367 <b>CAP,DISTR(PART OF 54)(AC-DELCO #D315A)</b>	91 - 04	I (LW6)	<b>1 10476237</b>
35.	2.382 <b>ROTOR,DISTR(PART OF 54)(AC-DELCO #D450)</b>	91 - 04	I (LW6)	<b>1 10467546</b>
36.	2.372 <b>SHAFT,DISTR(PART OF 54)(AC-DELCO #10468359)</b>	91 - 04	I (LW6)	<b>1 10468359</b>
37.	2.372 <b>RETAINER,DISTR IGN PICK UP COIL(PART OF 54)(AC-DELCO #10493403)</b>	91 - 04	I (LW6)	<b>1 10493403</b>
38.	2.363 <b>SEAL,DISTR HSG OIL(O RING)(PART OF 54)(1.639)(AC-DELCO #10477565)</b>	91 - 04	I (LW6)	<b>1 10477565</b>
39.	2.362 <b>HOUSING,DISTR(PART OF 54)(AC-DELCO #10468362)</b>	91 - 98	I (LW6)	<b>1 10468362</b>
	2.362 <b>HOUSING,DISTR(PART OF 54)(AC-DELCO #10468362)</b>	01 - 04	I (LW6)	<b>1 10468362</b>
40.	2.372 <b>PIN,DISTR IGN PICK UP POLE PIECE LOC(PART OF 54)(1/8 X 1/2 ZN)(CHAMFERED ENDS, ZINC PLT)(3.459)</b>	91 - 04	I (LW6)	<b>1 00454666</b>
41.	2.383 <b>MODULE,DISTR IGN CONT(PART OF 54)(AC-DELCO #D1965A)</b>	91 - 04	I (LW6)	<b>1 10482830</b>
42.	2.383 <b>BOLT,DISTR ICM(PART OF 54)</b>	91 - 04		
43.	2.372 <b>POLE PIECE,DISTR PICK UP(PART OF 54)(AC-DELCO #10469667)</b>	91 - 04	I (LW6)	<b>1 10469667</b>
44.	2.372 <b>COIL,DISTR PICK UP(PART OF 54)(AC-DELCO #D1944A)</b>	91 - 04	I (LW6)	<b>1 10470794</b>
45.	2.374 <b>GEAR,DISTR SHF(PART OF 54)(AC-DELCO #10468365)</b>	91 - 98	I (LW6)	<b>1 10468365</b>
	2.374 <b>GEAR,DISTR SHF(PART OF 54)(AC-DELCO #10468365)</b>	01 - 04	I (LW6)	<b>1 10468365</b>
46.	2.379 <b>PIN,DISTR GR(PART OF 54)(3/16X3/4 PL)(8.939)(AC-DELCO #9422127)</b>	91 - 04	I (LW6)	<b>1 09422127</b>
47.	0.289 <b>GASKET,CYL HD(PART OF GASKET KIT,CYL HD)</b>	91 - 04	I (LW6)	<b>1 14096660</b>
	0.289 <b>GASKET KIT,CYL HD(INCLS #5,30,31)(INCL GASKET,CYL HD)</b>	91 - 00	I (LW6)	<b>1 12457584</b>
48.	2.270 <b>SPARK PLUG&gt;(*3,33,34)(AC- R45TS)(AC-DELCO #R45TS)</b>	01 - 02	I (LW6)	<b>4 05613957</b>
	2.270 <b>SPARK PLUG&gt;(*3,33,34)(AC- R45TS)(AC-DELCO #2)</b>	01 - 02	I (LW6)	<b>4 25164640</b>
	2.270 <b>SPARK PLUG&gt;(*33,35 )(AC- R45TS)(AC-DELCO #R45TS)</b>	03 - 04	I (LW6)	<b>4 05613957</b>
	2.270 <b>SPARK PLUG&gt;(*33,35 )(AC- R45TS)(AC-DELCO #2)</b>	03 - 04	I (638)	<b>4 25164640</b>
	2.270 <b>SPARK PLUG,(AC MR 43T - *1,2,4,9,15)(AC-DELCO #MR43T)</b>	91 - 93	I (LW6)	<b>4 05613438</b>



2.270	<b>SPARK PLUG</b> ,(AC MR 43T - *1,2,4,9,15)(AC-DELCO # 10)	91 - 93	I (LW6)	4	25171349
2.270	<b>SPARK PLUG</b> ,(AC MR43LTS - * 7,10,11,12,13,19,20,21,22)(AC-DELCO #MR43LTS)	91 - 95	I (LW6)	4	05614210
2.270	<b>SPARK PLUG</b> ,(AC MR43LTS - * 7,10,11,12,13,19,20,21,22)(AC-DELCO #41-932)	91 - 95	I (LW6)	4	25162556
2.270	<b>SPARK PLUG</b> ,(AC MR43LTS - * 7,10,11,12,13,19,20,21,22)(AC-DELCO #8)	91 - 95	I (LW6)	4	25171347
2.270	<b>SPARK PLUG</b> ,(AC MR43LTS - * 7,10,11,12,13,19,20,21,22)(AC-DELCO #12)	91 - 95	I (LW6)	4	25332827
2.270	<b>SPARK PLUG</b> ,(AC MR43LTS)-(*19,20,21)(AC-DELCO #MR43LTS)	96 - 97	I (LW6)	4	05614210
2.270	<b>SPARK PLUG</b> ,(AC MR43LTS)-(*19,20,21)(AC-DELCO # 41-932)	96 - 97	I (LW6)	4	25162556
2.270	<b>SPARK PLUG</b> ,(AC MR43LTS)-(*19,20,21)(AC-DELCO # 8)	96 - 97	I (LW6)	4	25171347
2.270	<b>SPARK PLUG</b> ,(AC MR43LTS)-(*19,20,21)(AC-DELCO # 12)	96 - 97	I (LW6)	4	25332827
2.270	<b>SPARK PLUG</b> ,(AC MR43LTS)-(*19,30,31,32)(AC-DELCO #MR43LTS)	98 - 00	I (LW6)	4	05614210
2.270	<b>SPARK PLUG</b> ,(AC MR43LTS)-(*19,30,31,32)(AC-DELCO #41-932)	98 - 00	I (LW6)	4	25162556
2.270	<b>SPARK PLUG</b> ,(AC MR43LTS)-(*19,30,31,32)(AC-DELCO #8)	98 - 00	I (LW6)	4	25171347
2.270	<b>SPARK PLUG</b> ,(AC MR43LTS)-(*19,30,31,32)(AC-DELCO #12)	98 - 00	I (LW6)	4	25332827
2.270	<b>SPARK PLUG</b> ,(AC MR43LTS)-(*30,31)(AC-DELCO #MR43LTS)	98	I (LW6)	4	05614210
2.270	<b>SPARK PLUG</b> ,(AC MR43LTS)-(*30,31)(AC-DELCO #41-932)	98	I (LW6)	4	25162556
2.270	<b>SPARK PLUG</b> ,(AC MR43LTS)-(*30,31)(AC-DELCO #12)	98	I (LW6)	4	25332827
2.270	<b>SPARK PLUG</b> ,(AC MR43LTS)-(*31,32)(AC-DELCO #MR43LTS)	01 - 04	I (LW6)	4	05614210
2.270	<b>SPARK PLUG</b> ,(AC MR43LTS)-(*31,32)(AC-DELCO #8)	01 - 04	I (LW6)	4	25171347
2.270	<b>SPARK PLUG</b> ,(AC R45T - *6)(AC-DELCO #R45T)	91 - 93	I (LW6)	4	05613875
2.270	<b>SPARK PLUG</b> ,(AC R45T - *6)(AC-DELCO #10)	91 - 93	I (LW6)	4	25171349
2.270	<b>SPARK PLUG</b> ,(ACDELCO R45TS)(AC-DELCO #R45TS)	91 - 00	I (LW6)	4	05613957
2.270	<b>SPARK PLUG</b> ,(ACDELCO R45TS)(AC-DELCO #2)	91 - 00	I (LW6)	4	25164640
49.	DISCONN <b>VALVE</b> ,EXH(.0035 O.S.)(*19,20,21,22,30)	96	I (LW6)	4	03940912
	DISCONN <b>VALVE</b> ,EXH(.0035 O.S.)(*7,10,11,12,13,19,20,21,22)	91 - 95	I (LW6)	4	03940912
	DISCONN <b>VALVE</b> ,EXH(.0035"O.S.)(*3,5,6,8,14,16)	91 - 93	I (LW6)	4	06263774
	DISCONN <b>VALVE</b> ,EXH(.0035"O.S.)(1ST DES ID BY ENG STAMPING CODES 4RL,4RW. NO COMPARABLE- 2ND	94	I (LW6)	4	06263774

		DES.)(*23)			
0.297		VALVE,EXH(.0035"O.S.)(2ND DES ID BY ENG STAMPING CODES 4RM,4RN.)(*23)	94	I (LW6)	4 14082312
		DISCONNVALVE,EXH(.0155 O.S.)(*19,20,21,22)	96	I (LW6)	4 03940913
		DISCONNVALVE,EXH(.0155 O.S.)(*3,5,6,8,14,16)	91 - 93	I (LW6)	4 06263775
		DISCONNVALVE,EXH(.0155 O.S.)(*7,10,11,12,13,19,20,21,22)	91 - 95	I (LW6)	4 03940913
		DISCONNVALVE,EXH(.0155 O.S.)(1ST DES ID BY ENG STAMPING CODES 4RL,4RW.)(*23)	94	I (LW6)	4 06263775
0.297		VALVE,EXH(.0155" O.S.)(2ND DES ID BY ENG STAMPING CODES 4RM,4RN.)(*23)	94	I (LW6)	4 14082313
		DISCONNVALVE,EXH(.0305 O.S.)(*19,20,21,22)	96	I (LW6)	4 03940914
		DISCONNVALVE,EXH(.0305 O.S.)(*3,5,6,8,14,16)	91 - 93	I (LW6)	4 06263776
		DISCONNVALVE,EXH(.0305 O.S.)(*7,10,11,12,13,19,20,21,22)	91 - 95	I (LW6)	4 03940914
		DISCONNVALVE,EXH(.0305 O.S.)(1ST DES ID BY ENG STAMPING CODES 4RL,4RW.)(*23)	94	I (LW6)	4 06263776
0.297		VALVE,EXH(*1,2,4,9,15).(0305 O.S.)	91 - 93	I (LW6)	4 14033160
0.297		VALVE,EXH(*1,2,4,9,15)(STD)	91 - 93	I (LW6)	4 14095451
0.297		VALVE,EXH(*1,2,4,9,15).(0035 O.S.)	91 - 93	I (LW6)	4 14095459
0.297		VALVE,EXH(*1,2,4,9,15)(0.0155 O.S.)	91 - 93	I (LW6)	4 14095460
0.297		VALVE,EXH(*19,20,21)(STD)	96 - 97	I (LW6)	4 03937750
0.297		VALVE,EXH(*19,30,31,32)(STD)	98 - 02	I (LW6)	4 03937750
0.297		VALVE,EXH(*7,10,11,12,13,19,20,21,22)(STD)	91 - 95	I (LW6)	4 03937750
0.297		VALVE,EXH(STD)(*2,3,14,25,26,27)	96 - 99	I (LW6)	4 14082305
0.297		VALVE,EXH(STD)(*3,33,34)	00 - 02	I (LW6)	4 14082305
0.297		VALVE,EXH(STD)(*3,5,6,8,14,16)	91 - 93	I (LW6)	4 06263778
0.297		VALVE,EXH(STD)(*33,35)	03 - 04	I (LW6)	4 14082305
0.297		VALVE,EXH(STD)(1ST DES ID BY ENG STAMPING CODES 4RL,4RW.)(*23,24)	94	I (LW6)	4 06263778
0.297		VALVE,EXH(STD)(2ND DES ID BY ENG STAMPING CODES 4RM,4RN.)(*14,25,26,27)	94 - 95	I (LW6)	4 14082305
50.	NS	INSERT,VLV PUSH ROD SPHER(PART OF 68)	91 - 01	I (LW6)	AR
	NS	INSERT,VLV PUSH ROD SPHER(PART OF 68)	02	I (LW6)	AR
51.	0.296	VALVE,INT(.0035 OS)(*1,2,3,4,5,6,8,9,14,15,16,23)	91 - 95	I (LW6)	4 03997749
	0.296	VALVE,INT(.0035 OS)(*2,3,14,25,26,27)	96 - 99	I (LW6)	4 03997749
	0.296	VALVE,INT(.0035 OS)(*3,33)	03 - 04	I (LW6)	4 03997749
	0.296	VALVE,INT(.0035 OS)(*3,33,34)	00 - 02	I (LW6)	4 03997749
	0.296	VALVE,INT(.0035" O.S.)(*19,20,21,22)(.0035" O.S.)	96	I (LW6)	4 14075642
	0.296	VALVE,INT(.0035" O.S.)(*7,10,11,12,13,19,20,21,22)(.0035" O.S.)	91 - 95	I (LW6)	4 14075642
	0.296	VALVE,INT(.0155 O.S.)(*1,2,3,4,5,6,8,9,14,15,16,23)	91 - 95	I (LW6)	4 03997750
	0.296	VALVE,INT(.0155 O.S.)(*19,20,21,22)(.0155 O.S.)	96	I (LW6)	4 14075643

	0.296	VALVE,INT(.0155 O.S.)(*2,3,14,25,26,27)	96 - 99	I (LW6)	4	03997750
	0.296	VALVE,INT(.0155 O.S.)(*3,33)	03 - 04	I (LW6)	4	03997750
	0.296	VALVE,INT(.0155 O.S.)(*3,33,34)	00 - 02	I (LW6)	4	03997750
	0.296	VALVE,INT(.0155 O.S.)(*7,10,11,12,13,19,20,21,22) (.0155 O.S.)	91 - 95	I (LW6)	4	14075643
	0.296	VALVE,INT(.0305 O.S.)(*1,2,3,4,5,6,8,9,14,15,16,23)	91 - 95	I (LW6)	AR	03997751
	0.296	VALVE,INT(.0305 O.S.)(*19,20,21,22)(.0305 O.S.)	96	I (LW6)	4	14075644
	0.296	VALVE,INT(.0305 O.S.)(*7,10,11,12,13,19,20,21,22) (.0305 O.S.)	91 - 95	I (LW6)	4	14075644
	0.296	VALVE,INT(STD)(* 1,2,3,4,5,6,8,9,14,15,16,23,24,25,26,27)	91 - 95	I (LW6)	4	03989088
	0.296	VALVE,INT(STD)(*19,20,21,30,31,32,33)(STD)	97 - 00	I (LW6)	4	14075641
	0.296	VALVE,INT(STD)(*2,3,14,25,26,27)	96 - 99	I (LW6)	4	03989088
	0.296	VALVE,INT(STD)(*3,33,34)	00 - 02	I (LW6)	4	03989088
	0.296	VALVE,INT(STD)(*31,32)(STD)	01 - 02	I (LW6)	4	14075641
	0.296	VALVE,INT(STD)(*33,35)	03 - 04	I (LW6)	4	03989088
	0.296	VALVE,INT(STD)(*7,10,11,12,13,19,20,21,22)(STD)	91 - 96	I (LW6)	4	14075641
52.	0.004	BRACKET,ENG LIFT FRT	96 - 04	I (LW6)	1	06273484
	0.004	BRACKET,ENG LIFT FRT(* 1,2,4,7,9,10,11,12,13,15,19,20,21,22)	91 - 95	I (LW6)	1	06273484
53.	0.004	BOLT,ENG LIFT FRT BRKT(3/8-16X.75)(8.900)	95 - 02	I (LW6)	8	09442963
	0.004	BOLT,ENG LIFT FRT BRKT(* 1,2,4,7,9,10,11,12,13,15,19,20,21,22,25,26,27)(8.900)	91 - 95	I (LW6)	2	09424338
54.	2.361	DISTRIBUTOR,(INCL 33,34,35,36,37,38,39,40,41,42,43,44,45,46)(AC-DELCO #1103782)	91 - 99	I (LW6)	1	01103782
	2.361	DISTRIBUTOR,(INCL 33,34,35,36,37,38,39,40,41,42,43,44,45,46)(AC-DELCO #1103782)	03 - 04	I (LW6)	1	01103782
55.	2.363	GASKET,DISTR(AC-DELCO #10132896)	91 - 04	I (LW6)	1	10132896
56.	2.379	WASHER,DISTR DRVN GR THR	91 - 04	I (LW6)	1	03792285
57.	DISCONN	CLIP,ENG WRG HARN(PART OF 4)(* 1,2,3,5,7,8,9,10,12,13,14,15,16,19,21,22,23,24,25,26,27 )	91 - 00	I (LW6)	2	09798433
	8.950	CLIP,CLOSED TUBE-.437,ATTACH HOLE .343A:.62,STL W/NEOPRENE COATING(ENG WRG HARN)(PART OF 4)(*6)	91 - 93	I (LW6)	AR	00652035
	DISCONN	CLIP,ENG WRG HARN(PART OF 4)(*3,31,32,33,34)	00 - 01	I (LW6)	2	09798433
	DISCONN	CLIP,ENG WRG HARN(PART OF 4)(*3,31,32,33,34)	02	I (LW6)	2	09798433
58.	2.363	CLAMP,DISTR	91 - 04	I (LW6)	1	00355780
59.	2.240	WIRE,IGN COIL(AC-DELCO #12097982)	91 - 02	I (LW6)	1	12097982
	2.240	WIRE,IGN COIL(*33,35)(AC-DELCO #12097982)	03 - 04	I (LW6)	1	12097982

60.	2.363	<b>BOLT</b> ,DISTR CLA(3/8-16 X 1.00, 300M, HEX)(8.900)(AC-DELCO #9424320)	91 - 04	I (LW6)	3	09424320
61.	2.183	<b>BOLT</b> ,IGN COIL(HFH 3/8-16X.62 280M POR)(8.900)	99 - 04	I (LW6)	2	09440034
	2.183	<b>BOLT</b> ,IGN COIL(*1,2,3,5,6,7,8,9,10,13,14,16,19,22,23,24,25,26,27)(3/8-16 5/8)(8.900)	91 - 95	I (LW6)	1	09428638
	2.183	<b>BOLT</b> ,IGN COIL(*2,14,19,27,30,31)(HFH 3/8-16X.62 280M POR)(8.900)	97	I (LW6)	2	09440034
	2.183	<b>BOLT</b> ,IGN COIL(*26)(3/8-16 5/8)(8.900)	96 - 97	I (LW6)	1	09428638
62.	2.170	<b>WASHER</b> ,IGN COIL(25/64 X 53/64 X 5/64)(8.929)	91 - 00	I (LW6)	2	00120394
63.	2.251	<b>RETAINER</b> ,SPLG WIRE(*2,3,14,25,26,27)	96 - 99	I (LW6)	AR	01625931
	2.251	<b>RETAINER</b> ,SPLG WIRE(*3,33)	03 - 04	I (LW6)	AR	01625931
	2.251	<b>RETAINER</b> ,SPLG WIRE(*3,33,34)	00 - 02	I (LW6)	AR	01625931
	2.251	<b>RETAINER</b> ,SPLG WIRE(*3,5,8,14,16,23,24,25,26,27)	91 - 95	I (LW6)	AR	01625931
64.	2.170	<b>COIL</b> ,IGN(AC-DELCO #D503A)	98 - 02	I (LW6)	1	12498334
	2.170	<b>COIL</b> ,IGN(*1,2,3,5,6,7,8,9,10,13,14,16,19,22,23,24,25,26,27)(AC-DELCO #D503A)	91 - 96	I (LW6)	1	12498334
	2.170	<b>COIL</b> ,IGN(*2,14,19,26,27,30,31)(AC-DELCO #D503A)	97	I (LW6)	1	12498334
	2.170	<b>COIL</b> ,IGN(*31,32,33,35)(AC-DELCO #D560)	03 - 04	I (LW6) (STAMPED 01115491)	1	01115491
65.	2.240	<b>WIRE</b> ,IGN COIL	91 - 96	I (LW6)	1	93430079
	2.240	<b>WIRE</b> ,IGN COIL(*2,14,26,27)	97 - 99	I (LW6)	1	93430079
	2.240	<b>WIRE</b> ,IGN COIL(*3,33,34)	00 - 01	I (LW6)	1	93430079
	2.240	<b>WIRE</b> ,IGN COIL(*3,33,34)	02 - 04	I (LW6)	1	93430079
	2.240	<b>WIRE</b> ,IGN COIL(*31,32)(AC-DELCO #12097982)	03 - 04	I (LW6)	1	12097982
66.	2.239	<b>HARNESS</b> ,SPLG WIRE(*19,20,21)(AC-DELCO #10486136)	96 - 97	I (LW6)	1	10486136
	2.239	<b>HARNESS</b> ,SPLG WIRE(*19,20,21,22)(AC-DELCO #10486136)	95	I (LW6)	1	10486136
	2.239	<b>HARNESS</b> ,SPLG WIRE(*19,30)(AC-DELCO #10486136)	98	I (LW6)	1	10486136
	2.239	<b>HARNESS</b> ,SPLG WIRE(*2,3,14,25,26,27)	96 - 99	I (LW6)	1	93430078
	2.239	<b>HARNESS</b> ,SPLG WIRE(*3,31,33)	00 - 02	I (LW6)	1	93430078
	2.239	<b>HARNESS</b> ,SPLG WIRE(*3,5,8,14,16,23,24,25,26,27)	91 - 95	I (LW6)	1	93430078
	2.239	<b>HARNESS</b> ,SPLG WIRE(*33,35)	03 - 04	I (LW6)	1	93430078
67.	0.459	<b>LIFTER</b> ,VLV(AC-DELCO #HL66)	91 - 93	I (LW6)	8	05232720
	0.459	<b>LIFTER</b> ,VLV(*19,20,21,22,23,24,25,26,27)(AC-DELCO #HL66)	94	I (LW6)	8	05232720
	0.459	<b>LIFTER</b> ,VLV(*2,14,19,20,21,22,25,26,27,30,31,32)(AC-DELCO #HL66)	95 - 99	I (LW6)	8	05232720
	0.459	<b>LIFTER</b> ,VLV(*3,31,32,33,34)(AC-DELCO #HL66)	00 - 02	I (LW6)	8	05232720
	0.459	<b>LIFTER</b> ,VLV(*31,32,33,35)(AC-DELCO #HL66)	03 - 04	I (LW6)	8	05232720

68.	0.426	ROD,VLV PUSH(INCL 50)	91 - 04	I (LW6)	8	93414888
69.	0.429	STUD,VLV RKR ARM BALL(.003" O.S.)	91 - 04	I (LW6)	8	03814692
	0.429	STUD,VLV RKR ARM BALL(.013" O.S.)	91 - 04	I (LW6)	8	03815892
70.	0.308	SEAL,VLV STEM OIL(O-RING TYPE)	91 - 04	I (LW6)	8	10214034
	0.308	SEAL,VLV STEM OIL(.394MM O.S.)	91 - 93	I (LW6)	8	88984047
71.	0.269	HEAD,CYL(*1,2,3,4,5,6,8,9,14,15,16)	91 - 93	I (LW6)	1	10159444
	0.269	HEAD,CYL(*14,25,26,27)	95	I (LW6)	1	12523506
	0.269	HEAD,CYL(*19,20,21)	97	I (LW6)	1	10140599
	0.269	HEAD,CYL(*19,20,21,22)	96	I (LW6)	1	10140599
	0.269	HEAD,CYL(*19,30,31,32)	98 - 99	I (LW6)	1	10140599
	0.269	HEAD,CYL(*2,3,14,25,26,27)	96 - 99	I (LW6)	1	12523506
	0.269	HEAD,CYL(*23,24)(1ST DES ID BY ENG STAMPING CODES 4RL,4RW)	94	I (LW6)	1	10159444
	0.269	HEAD,CYL(*25,26,27)(2ND DES ID BY ENG STAMPING CODES 4RM,4RN.)(VALVE STEM HAVE LARGER DIA FOR 2ND DES)	94	I (LW6)	1	12523506
	0.269	HEAD,CYL(*3,31,34)	00	I (LW6)	1	12523506
	0.269	HEAD,CYL(*3,33,34)	01 - 02	I (LW6)	1	12523506
	0.269	HEAD,CYL(*31,32)	00 - 02	I (LW6)	1	10140599
	0.269	HEAD,CYL(*33,35)	03 - 04	I (LW6)	1	12523506
	0.269	HEAD,CYL(*7,10,11,12,13,19,20,21,22)	91 - 95	I (LW6)	1	10140599
72.	0.303	SPRING,VLV(*1,2,4,7,9,10,11,12,13,15,19,20,21,22) (STEM DIA.8MM)(THE 8-DIGIT HEAD CAST NBR IS NOT FOLLOWED BY "S".)	91 - 95	I (LW6)	8	14076469
	0.303	SPRING,VLV(*19,20,21,22,30)(STEM DIA.8MM)(THE 8- DIGIT HEAD CAST NBR IS NOT FOLLOWED BY "S".)	96 - 97	I (LW6)	8	14076469
	0.303	SPRING,VLV(*19,30,31,32)(STEM DIA.8MM)(THE 8- DIGIT HEAD CAST NBR IS NOT FOLLOWED BY "S".)	98 - 00	I (LW6)	8	14076469
	0.303	SPRING,VLV(*2,14,25,26,27)	96 - 99	I (LW6)	8	03735381
	0.303	SPRING,VLV(*2,3,14,25,26,27)	96 - 99	I (LW6)	8	03735381
	0.303	SPRING,VLV(*3,33,34)	00 - 02	I (LW6)	8	03735381
	0.303	SPRING,VLV(*3,5,6,8,14,16,23,24,25,26,27)	91 - 95	I (LW6)	8	03735381
	0.303	SPRING,VLV(*31,32)(STEM DIA.8MM)(THE 8-DIGIT HEAD CAST NBR IS NOT FOLLOWED BY "S".)	01 - 02	I (LW6)	8	14076469
	0.303	SPRING,VLV(*33,35)	03 - 04	I (LW6)	8	03735381
73.	0.309	CAP,VLV SPR(*1,2,3,4,5,6,7,8,9)	91 - 01	I (LW6)	8	10038209
	0.309	CAP,VLV SPR(*10,11,12,13,14,15,16,17)	91 - 01	I (LW6)	8	10038209
	0.309	CAP,VLV SPR(*19,20,21,22,23,24,25,26)	91 - 01	I (LW6)	8	10038209
	0.309	CAP,VLV SPR(*22,23,24,25,26)	91 - 01	I (LW6)	8	10038209
	0.309	CAP,VLV SPR(*27,29,30,31,32)	91 - 01	I (LW6)	8	10038209
	0.309	CAP,VLV SPR(*33,34)	00 - 01	I (LW6)	8	10038209
	0.309	CAP,VLV SPR(*3,31,32,33,34)	02	I (LW6)	8	10038209

	<b>0.309</b>	<b>CAP,VLV SPR(*31,32,33,35)</b>	<b>03 - 04</b>	I (LW6)	<b>8</b>	<b>10038209</b>
74.	0.308	<b>SHIELD,VLV STEM OIL</b>	91 - 04	I (LW6)	<b>12</b>	<b>10007818</b>
75.	0.333	<b>ARM KIT,VLV RKR(W/BALL)</b>	91 - 04	I (LW6)	<b>8</b>	<b>05723551</b>
76.	0.429	<b>BALL,VLV RKR ARM</b>	91 - 04	I (LW6)	<b>8</b>	<b>93427660</b>
77.	0.429	<b>NUT,VLV RKR ARM(3/8-24)</b>	91 - 04	I (LW6)	<b>8</b>	<b>12557390</b>
78.	0.310	<b>KEY,VLV STEM</b>	91 - 04	I (LW6)	<b>16</b>	<b>24503856</b>
79.	0.309	<b>ROTATOR,VLV(*2,3,14,25,26,27)(EXH)</b>	95 - 99	I (LW6)	<b>4</b>	<b>14042575</b>
	0.309	<b>ROTATOR,VLV(*3,33,34)</b>	00 - 02	I (LW6)	<b>4</b>	<b>14042575</b>
	0.309	<b>ROTATOR,VLV(*3,5,6,8,14,16,23,24,25,26,27)(EXH)</b>	91 - 94	I (LW6)	<b>4</b>	<b>14042575</b>
	0.309	<b>ROTATOR,VLV(*33,35)</b>	03 - 04	I (LW6)	<b>4</b>	<b>14042575</b>
80.	2.277	<b>BRACE,GEN</b>	00 - 04			
	2.277	<b>BRACE,GEN(*3,5,24,26,27)(2.317)</b>	91 - 96	I (LW6)	<b>1</b>	<b>06270047</b>
81.	8.931	<b>WASHER(GEN BR)(*3,5,23,24,25,26,27)</b>	91 - 96	I (LW6)	<b>1</b>	<b>09439513</b>
82.	2.277	<b>BOLT,GEN BR(*2,14,19,27)(3/8-16X.75)(8.900)</b>	97 - 00	I (LW6)	<b>1</b>	<b>09442963</b>
	2.277	<b>BOLT,GEN BR(*3,5,24,26,27)(3/8-16X.75)(8.900)</b>	91 - 96	I (LW6)	<b>1</b>	<b>09442963</b>
83.	8.915	<b>NUT, M4X0.7 6H(IGN COIL BRKT)(* 1,2,3,5,6,7,8,9,10,13,14,16,19,22,23,24,25,26,27)</b>	91 - 95	I (LW6)	<b>AR</b>	<b>10180301</b>
84.	2.183	<b>BRACKET,IGN COIL(TOP)(* 1,2,3,5,6,7,8,9,10,13,14,16,19,22,23,24,25,26,27) (2.170)(AC-DELCO #10468368)</b>	91 - 01	I (LW6)	<b>1</b>	<b>10468368</b>
	2.183	<b>BRACKET,IGN COIL(TOP)(*31,32)(2.170)(AC-DELCO # 10468368)</b>	02	I (LW6)	<b>1</b>	<b>10468368</b>
	2.183	<b>BRACKET,IGN COIL(TOP)(*31,32,33,35)(2.170)(AC- DELCO #10468368)</b>	03 - 04	I (LW6)	<b>1</b>	<b>10468368</b>
85.	2.183	<b>BRACKET,IGN COIL(BOTTOM)(* 1,2,3,5,6,7,8,9,10,13,14,16,19,22,23,24,25,26,27) (2.170)(AC-DELCO #10468367)</b>	91 - 01	I (LW6)	<b>1</b>	<b>10468367</b>
	2.183	<b>BRACKET,IGN COIL(BOTTOM)(*31,32)(2.170)(AC- DELCO #10468367)</b>	02	I (LW6)	<b>1</b>	<b>10468367</b>
	2.183	<b>BRACKET,IGN COIL(BOTTOM)(*31,32,33,35)(2.170) (AC-DELCO #10468367)</b>	03 - 04	I (LW6)	<b>1</b>	<b>10468367</b>
86.	8.900	<b>BOLT- HWH M4X0.7X30 9.8 PC(IGN COIL BRKT)(* 1,2,3,5,6,7,8,9,10,13,14,16,19,22,23,24,25,26,27)</b>	91 - 96	I (LW6)	<b>AR</b>	<b>11507041</b>
87.	0.446	<b>STUD,VLV PUSH ROD CVR(*2,3,14,26,27)</b>	96 - 99	I (LW6)	<b>1</b>	<b>00352169</b>
	0.446	<b>STUD,VLV PUSH ROD CVR(*3,33,34)</b>	00 - 02	I (LW6)	<b>1</b>	<b>00352169</b>
	0.446	<b>STUD,VLV PUSH ROD CVR(*33,35)</b>	03 - 04	I (LW6)	<b>1</b>	<b>00352169</b>
88.	0.439	<b>NUT,VLV PUSH ROD CVR(*14)(8.915)</b>	96 - 99	I (LW6)	<b>1</b>	<b>00451399</b>
	0.439	<b>NUT,VLV PUSH ROD CVR(*3,33,34)(8.915)</b>	00 - 01	I (LW6)	<b>1</b>	<b>00451399</b>
	0.439	<b>NUT,VLV PUSH ROD CVR(*3,33,34)(8.915)</b>	02	I (LW6)	<b>1</b>	<b>00451399</b>
	0.439	<b>NUT,VLV PUSH ROD CVR(*33,35)(8.915)</b>	03 - 04	I (LW6)	<b>1</b>	<b>00451399</b>

- NOTE 01: 3.0L 181 CID MARINE ENG. 1991 14097242 (1RT), 1992 14097382 (2RT), 1993 10213737 (3RT).
- NOTE 02: 3.0L 181 CID MARINE ENG. 1991 14097244 (1RS),1992 14097384 (2RS),1993 10213741 (3RS),1996 93427130 (6RS),1997 93428833 (7RS),1998 93430376 (8RS),1999 93433192(9RS),SE
- NOTE 03: 3.0L 181 CID INDUSTRIAL ENG.1991 14097398(1RH),1992 14097399 (2RH),1993 10213742 (3RH),1999 93433194 (9RH),2000 93434772 (ORH),2001 93436569 (1RH),1002 93437121 (2RH),SE
- NOTE 04: 3.0L 181 CID MARINE ENG. 1991 14097438 (1RJ), 1992 14097440 (2RJ), 1993 10213743 (3RJ).
- NOTE 05: 3.0L 181 CID MARINE ENG. 1991 14097251 (1RZ), 1992 14097393 (2RZ), 1993 10213758 (3RZ).
- NOTE 06: 3.0L 181 CID MARINE ENG. 1991 14097249 (1RD), 1992 14097391 (2RD), 1993 10213828 (3RD).
- NOTE 07: 3.0L 181 CID MARINE ENG. 1991 14097246 (1RX), 1992 14097387 (2RX), 1993 10213829 (3RX).
- NOTE 08: 3.0L 181 CID MARINE ENG. 1991 14097250 (1RY), 1992 14097392 (2RY), 1993 10213830 (3RY).
- NOTE 09: 3.0L 181 CID MARINE ENG. 1991 14097376 (1RB), 1992 14097385 (2RB), 1993 10214171 (3RB).
- NOTE 10: 3.0L 181 CID MARINE ENG. 1992 14097377 (1RC), 1992 14097390 (2RC), 1993 10214172 (3RC).
- NOTE 11: 3.0L 181 CID MARINE ENG. 1992 14097439 (1RK), 1992 14097441 (2RK), 1993 10214176 (3RK).
- NOTE 12: 3.0L 181 CID MARINE ENG. 1992 14097247 (1RR), 1992 14097388 (2RR), 1993 10214178 (3RR).
- NOTE 13: 3.0L 181 CID MARINE ENG. 1991 14097248 (1RU), 1992 14097389 (2RU), 1993 10214179 (3RU).
- NOTE 14: 3.0L 181 CID INDUSTRIAL ENG. 1991 14097330 (1RA),1992 14097394 (2RA), 1995 93427532 (5RA),1996 93427535 (6RA),1997 93428834 (7RA),1998 93430377 (8RA),1999 9343318
- NOTE 15: 3.0L 181 CID MARINE ENG. 1991 14097243 (1RP), 1992 14097383 (2RP), 1993 10214177 (3RP).
- NOTE 16: 3.0L 181 CID MARINE ENG. 1992 10224590 (2RW), 1993 10224591 (3RW).
- NOTE 17: APPLY 12346004 THREAD SEALER TO BOLT IF PRE-APPLIED SEALER IS NOT PRESENT.
- NOTE 19: 3.0L 181 CID MARINE ENG. 1994 10232482 (4RX),1995 12552044 (5RX),1996 93427129 (6RX),1997 93428832 (7RX),1998 93430375 (8RX),1999 93433194(9RX).
- NOTE 20: 3.0L 181 CID MARINE ENG. 1994 10232483 (4RK),1995 12552042 (5RK),1996 93427127 (6RK),1997 93428830 (7RK),1998 93430373 (8RK).
- NOTE 21: 3.0L 181 CID MARINE ENG. 1994 10232486 (4RR),1995 12552043 (5RR),1996 93427128 (6RR),1997 93428831 (7RR).
- NOTE 22: 3.0L 181 CID MARINE ENG. 1994 10232487 (4RC),1995 12552041 (5RC),1996 93427126 (6RC).
- NOTE 23: 3.0L 181 CID INDUSTRIAL ENG. 1994 10232511 (4RW) (CANC REPL BY-->12551321(4RN).
- NOTE 24: 3.0L 181 CID INDUSTRIAL ENG. 1994 10243387 (4RL) (CANC REPL BY-->12551320(4RM).
- NOTE 25: 3.0L 181 CID INDUSTRIAL ENG. 1994 12551321 (4RN),1995 12552039 (5RN),1996 93427124 (6RN).
- NOTE 26: 3.0L 181 CID CRUSADER ENG. 1994 12551276 (4RF),1995 12552040 (5RF),1996 93427125 (6RF),1997 93428829 (7RF),1998 93430372 (8RF),1999 93433188 (RTF).
- NOTE 27: 3.0L 181 CID INDUSTRIAL ENG. 1994 12551320 (4RM),1995 12552038 (5RM),1996 93427123 (6RM),1997 93428828 (7RM),1998 93430371 (8RM),1999 93433189 (9RM).
- NOTE 30: 3.0L 181 CID MARINE ENG. ,1998 93430374 (8RV).
- NOTE 31: 3.0L 181 CID MARINE ENG.,1998 93432747 (8RP),1999 93433190 (9RP),2000 93434773 (ORP),2001 93436570 (1RP),2002 93437122 (2RP),2003 93437127 (3RP),2004 93441792 (4RP)
- NOTE 32: 3.0L 181 CID MARINE ENG.,1998 93432786 (8RQ),1999 93433191 (9RQ),2000 93434774 (ORQ),2001 93436571 (1RQ),2002 93437123 (2RQ),2003 93437128 (3RQ),2004 93441793 (4RQ)
- NOTE 33: 3.0L 181 CID INDUSTRIAL ENG.,2000 93434775 (ORS),2001 934357572 (1RS),2002 93437124 (2RS),2003 93436571 (3RS),2004 93441794 (4RS)

NOTE 34: 3.0L 181 CID MARINE ENG.  
93437120 (2RA)

2000 93434771 (ORA),2001 93436568 (1RA),2002

NOTE 35: 3.0L 181 CID INDUSTRIAL ENG.2003 93437126 (3RH),2004 93441791 (4RH),2005 93445910 (5RH),000 93445916  
(6RH),0000 93445922 (7RH),

**RPO DEFINITIONS**

LW6 - ENGINE,GAS,4 CYL

638 - ENGINE, 3.8L ALL